

CONTRACT DRAWINGS

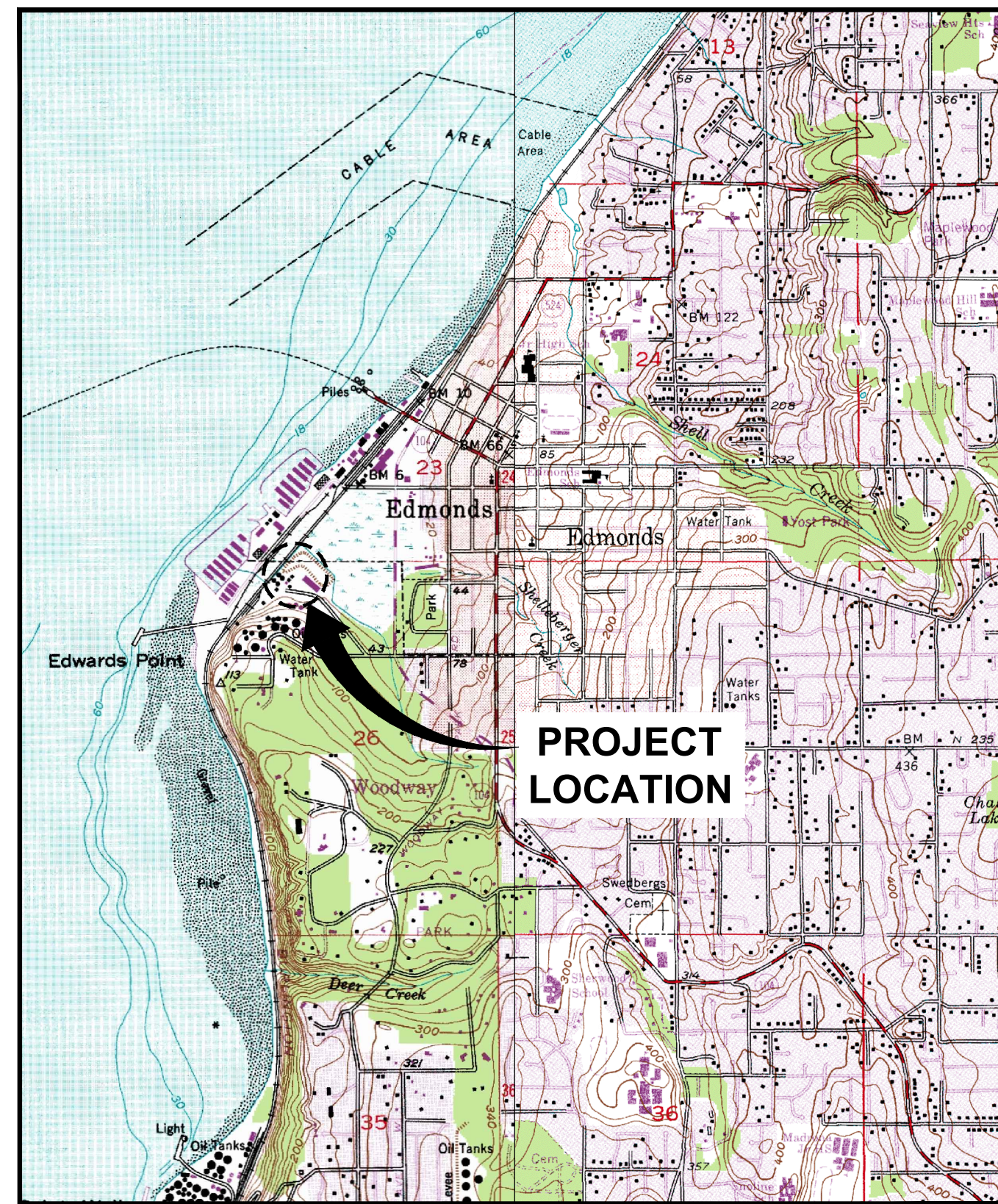
INTERIM ACTION FOR 2015 LOWER YARD FORMER UNOCAL EDMONDS BULK FUEL TERMINAL

KEY CONTACTS:

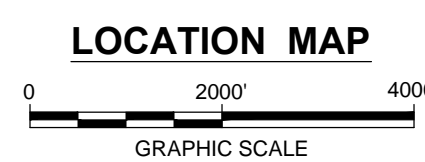
PROJECT SITE:
FORMER UNOCAL EDMONDS BULK FUEL TERMINAL
11720 UNOCO ROAD
EDMONDS, WA., 98020

ENGINEER:
ARCADIS U.S., INC.
1100 OLIVE WAY, SUITE 800
SEATTLE, WA., 98101
TELEPHONE 206.726.4726
CONTACT: CARSTEN BECKER, P.E.

RESPONDENT:
CHEVRON ENVIRONMENTAL
MANAGEMENT COMPANY
6101 BOLLINGER CANYON ROAD
SAN RAMON, CA 94583
TELEPHONE: 925.790.3946
CONTACT: KIM JOLITZ, P.G., C..HG.



REFERENCE: BASE MAP USGS QUADS, 7.5 MIN. SERIES (TOPOGRAPHIC) - EDMONDS EAST, WASH. AND EDMONDS WEST, WASH.



DATE ISSUED
MARCH 8, 2016

**CHEVRON ENVIRONMENTAL MANAGEMENT COMPANY
EDMONDS, WASHINGTON**



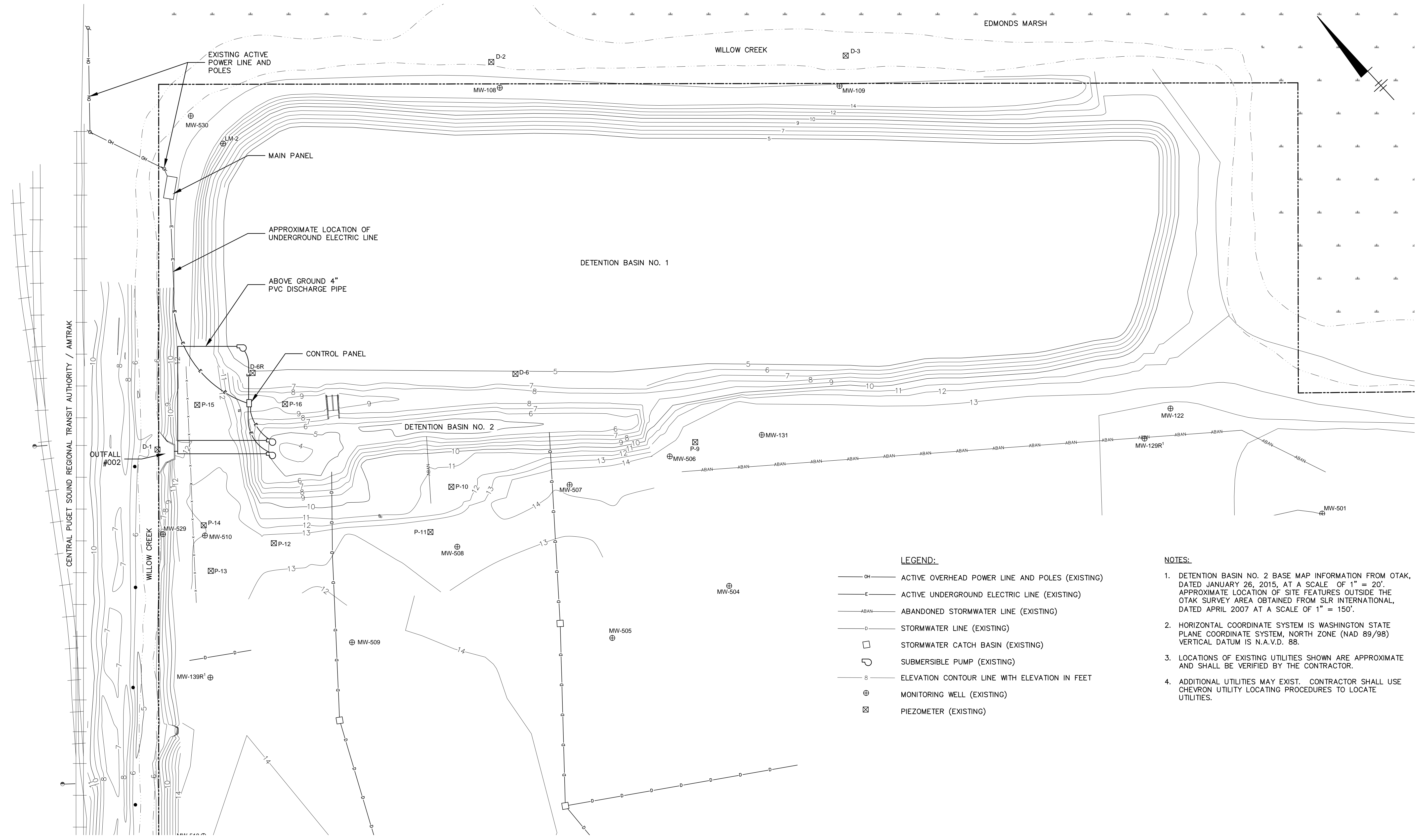
ARCADIS U.S., INC.

INDEX TO DRAWINGS

- 1 GENERAL SITE PLAN
- 2 EXISTING SITE PLAN
- 3 DEMOLITION PLAN
- 4 SITE PREPARATION AND HYDRAULIC ISOLATION PLAN
- 5 TRAFFIC CONTROL AND AIR MONITORING STATION PLAN
- 6 EXCAVATION PLAN
- 7 EXCAVATION CROSS SECTION A-A'
- 8 EXCAVATION CROSS SECTION B-B'
- 9 FINAL GRADING AND HYDRAULIC MANAGEMENT PLAN
- 10 HYDRAULIC ISOLATION STRUCTURE DETAILS
- 11 BMP DETAILS
- 12 PLANTING PLAN AND DETAILS

CITY:SYRACUSE,NY DIV:GROUP:ENVCAD_DBG:STEINBERGER LD: PIC:MFL:KILKENNY TMR:KILKENNY LYS:(OR)ONL*OFF=REF: G:ENVCAD:SYRACUSE:ACT:B0045362:0006:0004:DWG:CONTRACT:45362G02.dwg LAYOUT: 2. SAVED: 2/8/2016 10:10 AM. ACADVER: 19.1.S (LMS TECH). PAGES: 2. PLOT: 1. PLOTDATE: 2/8/2016 1:25 PM. BY: STEINBERGER, GEORGE

PROJECT NAME: ...
 XREFS: 45362X00
 45362X01

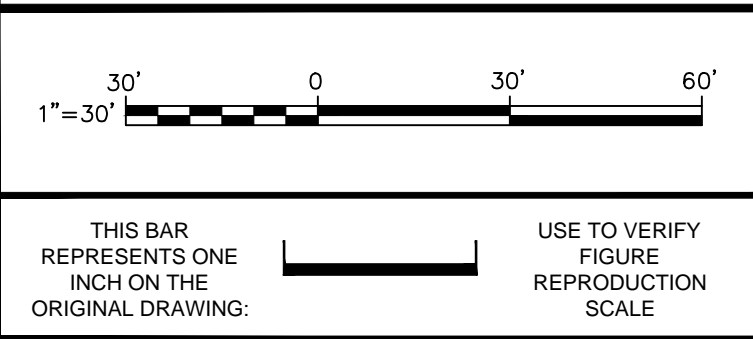


LEGEND:

- OH — ACTIVE OVERHEAD POWER LINE AND POLES (EXISTING)
- E — ACTIVE UNDERGROUND ELECTRIC LINE (EXISTING)
- ABAN — ABANDONED STORMWATER LINE (EXISTING)
- D — STORMWATER LINE (EXISTING)
- STORMWATER CATCH BASIN (EXISTING)
- ⊕ SUBMERSIBLE PUMP (EXISTING)
- S — ELEVATION CONTOUR LINE WITH ELEVATION IN FEET
- ⊕ MONITORING WELL (EXISTING)
- ⊗ PIEZOMETER (EXISTING)

NOTES:

1. DETENTION BASIN NO. 2 BASE MAP INFORMATION FROM OTAK, DATED JANUARY 26, 2015, AT A SCALE OF 1" = 20'. APPROXIMATE LOCATION OF SITE FEATURES OUTSIDE THE OTAK SURVEY AREA OBTAINED FROM SLR INTERNATIONAL, DATED APRIL 2007 AT A SCALE OF 1" = 150'.
2. HORIZONTAL COORDINATE SYSTEM IS WASHINGTON STATE PLANE COORDINATE SYSTEM, NORTH ZONE (NAD 89/98) VERTICAL DATUM IS N.A.V.D. 88.
3. LOCATIONS OF EXISTING UTILITIES SHOWN ARE APPROXIMATE AND SHALL BE VERIFIED BY THE CONTRACTOR.
4. ADDITIONAL UTILITIES MAY EXIST. CONTRACTOR SHALL USE CHEVRON UTILITY LOCATING PROCEDURES TO LOCATE UTILITIES.



No.	Date	Revisions	By	Ckd

Professional Engineer's Name
CARSTEN BECKER
 Professional Engineer's No.
 39822
 State
 WA
 Date Signed
 Project Mgr.
 SZ
 Designed by
 RPK
 Drawn by
 GS
 Checked by
 CB

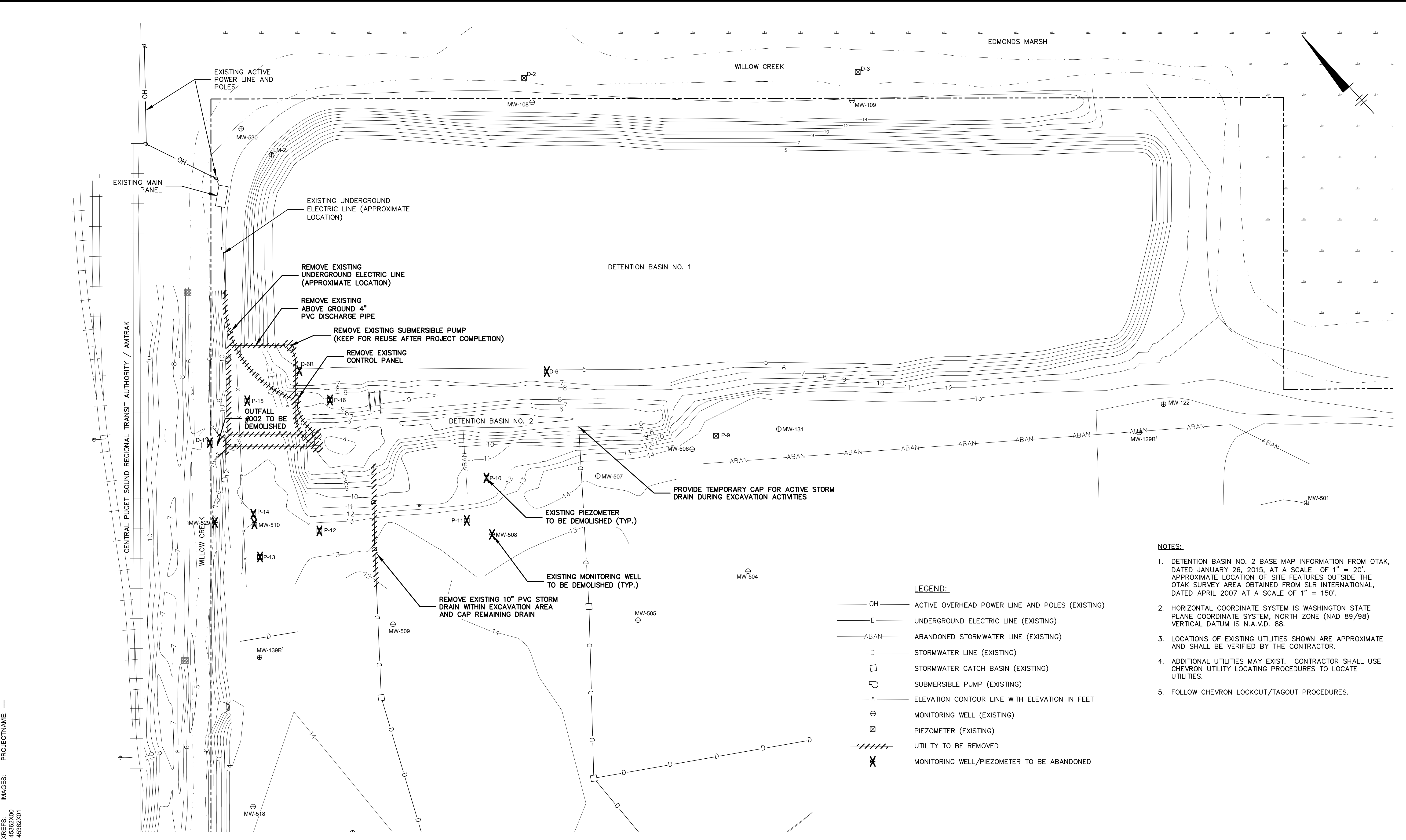
THIS DRAWING IS THE PROPERTY OF THE ARCADIS ENTITY IDENTIFIED IN THE TITLE BLOCK AND MAY NOT BE REUSED OR ALTERED IN WHOLE OR IN PART WITHOUT THE EXPRESS WRITTEN PERMISSION OF SAME.



FORMER UNOCAL EDMONDS TERMINAL • EDMONDS, WASHINGTON
 INTERIM ACTION FOR 2015 LOWER YARD
SITE PLAN - EXISTING CONDITIONS

ARCADIS Project No.
 B0045362.0006.00004
 Date
 MARCH 2016
 ARCADIS U.S., INC.
 1100 OLIVE WAY, SUITE 800
 SEATTLE, WA, 98101
 Tel: 206.726.4726

CITY:SYRACUSE;NY DIV:GROUP:ENVCAD_DBG:STEINBERGER LD: PIC:MFL:LEISCHNER PMS:S:ZORN TMR:KILKENNY LXR:(OR)ONL*OFF=REF: G:ENVCAD:SYRACUSE:ACT:B0045362:0006:00004:DWG:CONTRACT:45362:G03.dwg LAYOUT: 3 SAVED: 2/28/2016 10:13 AM ACADVER: 19.1(S (LMS TECH)) PAGES: 3 PLOT: 1/1 PLOTDATE: 2/28/2016 1:25 PM BY: STEINBERGER, GEORGE



CENTRAL PUGET SOUND REGIONAL TRANSIT AUTHORITY / AMTRAK

WILLOW CREEK

EDMONDS MARSH

WILLOW CREEK

DETENTION BASIN NO. 1

DETENTION BASIN NO. 2

EXISTING ACTIVE POWER LINE AND POLES
EXISTING MAIN PANEL

EXISTING UNDERGROUND ELECTRIC LINE (APPROXIMATE LOCATION)

REMOVE EXISTING UNDERGROUND ELECTRIC LINE (APPROXIMATE LOCATION)

REMOVE EXISTING ABOVE GROUND 4" PVC DISCHARGE PIPE

REMOVE EXISTING SUBMERSIBLE PUMP (KEEP FOR REUSE AFTER PROJECT COMPLETION)

REMOVE EXISTING CONTROL PANEL

OUTFALL #002 TO BE DEMOLISHED

PROVIDE TEMPORARY CAP FOR ACTIVE STORM DRAIN DURING EXCAVATION ACTIVITIES

EXISTING PIEZOMETER TO BE DEMOLISHED (TYP.)

EXISTING MONITORING WELL TO BE DEMOLISHED (TYP.)

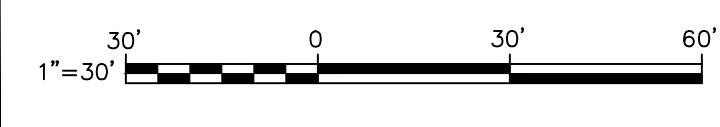
REMOVE EXISTING 10" PVC STORM DRAIN WITHIN EXCAVATION AREA AND CAP REMAINING DRAIN

LEGEND:

- OH — ACTIVE OVERHEAD POWER LINE AND POLES (EXISTING)
- E — UNDERGROUND ELECTRIC LINE (EXISTING)
- ABAN — ABANDONED STORMWATER LINE (EXISTING)
- D — STORMWATER LINE (EXISTING)
- STORMWATER CATCH BASIN (EXISTING)
- ⊕ SUBMERSIBLE PUMP (EXISTING)
- 8 — ELEVATION CONTOUR LINE WITH ELEVATION IN FEET
- ⊕ MONITORING WELL (EXISTING)
- ⊗ PIEZOMETER (EXISTING)
- ////// UTILITY TO BE REMOVED
- ⊗ MONITORING WELL/PIEZOMETER TO BE ABANDONED

NOTES:

1. DETENTION BASIN NO. 2 BASE MAP INFORMATION FROM OTAK, DATED JANUARY 26, 2015, AT A SCALE OF 1" = 20'. APPROXIMATE LOCATION OF SITE FEATURES OUTSIDE THE OTAK SURVEY AREA OBTAINED FROM SLR INTERNATIONAL, DATED APRIL 2007 AT A SCALE OF 1" = 150'.
2. HORIZONTAL COORDINATE SYSTEM IS WASHINGTON STATE PLANE COORDINATE SYSTEM, NORTH ZONE (NAD 89/98) VERTICAL DATUM IS N.A.V.D. 88.
3. LOCATIONS OF EXISTING UTILITIES SHOWN ARE APPROXIMATE AND SHALL BE VERIFIED BY THE CONTRACTOR.
4. ADDITIONAL UTILITIES MAY EXIST. CONTRACTOR SHALL USE CHEVRON UTILITY LOCATING PROCEDURES TO LOCATE UTILITIES.
5. FOLLOW CHEVRON LOCKOUT/TAGOUT PROCEDURES.



USE TO VERIFY FIGURE REPRODUCTION SCALE

THIS DRAWING IS THE PROPERTY OF THE ARCADIS ENTITY IDENTIFIED IN THE TITLE BLOCK AND MAY NOT BE REUSED OR ALTERED IN WHOLE OR IN PART WITHOUT THE EXPRESS WRITTEN PERMISSION OF SAME.

Professional Engineer's Name CARSTEN BECKER			
Professional Engineer's No. 39822			
State WA	Date Signed SZ	Project Mgr. SZ	
Designed by RPK	Drawn by GS	Checked by CB	



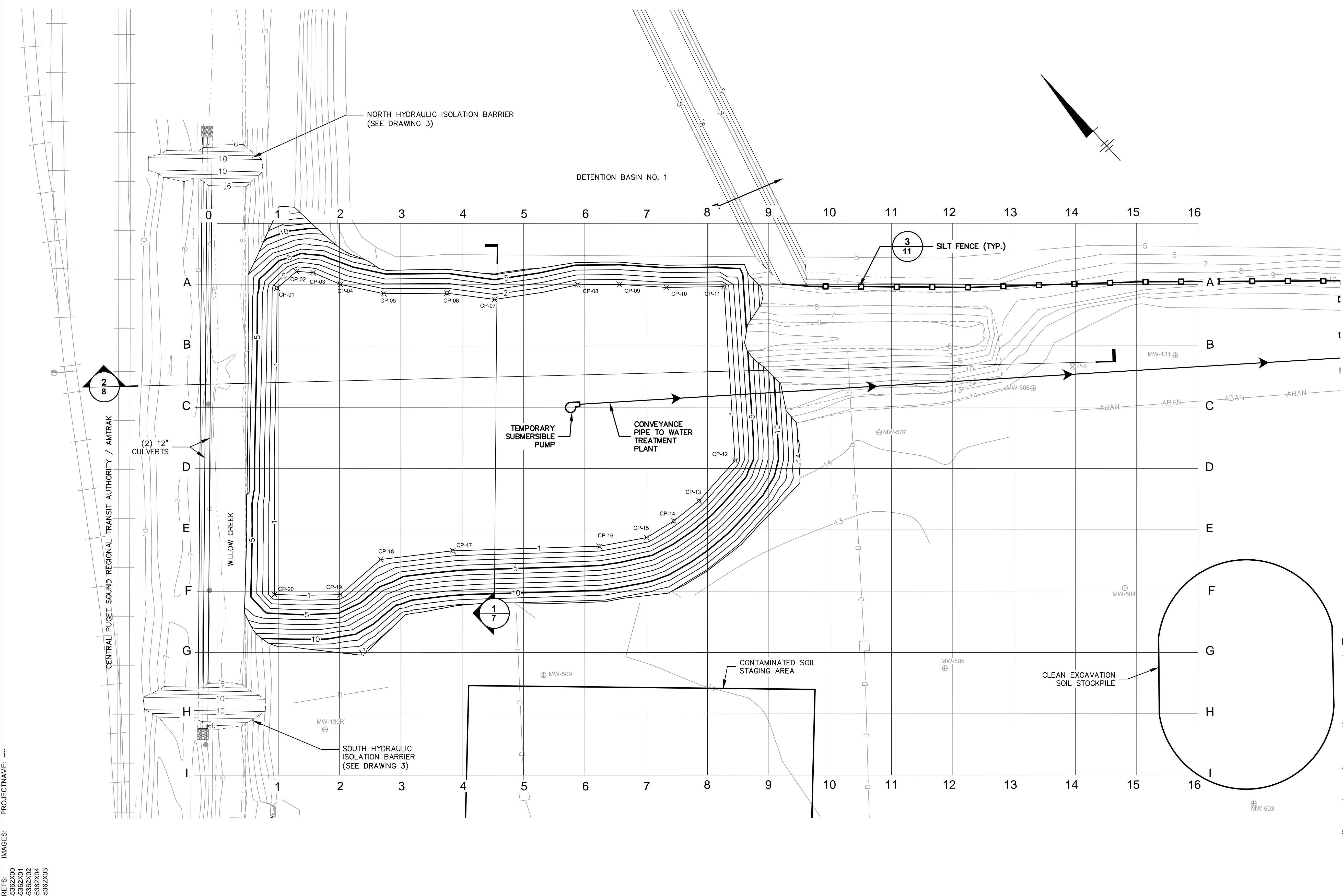
ARCADIS U.S., INC.

FORMER UNOCAL EDMONDS TERMINAL • EDMONDS, WASHINGTON
INTERIM ACTION FOR 2015 LOWER YARD

DEMOLITION PLAN

ARCADIS Project No. B0045362.0006.00004
Date MARCH 2016
ARCADIS U.S., INC. 1100 OLIVE WAY, SUITE 800 SEATTLE, WA, 98101 Tel: 206.726.4726

CITY:SYRACUSE,NY DIV:GROUP:ENVCAD DBG:STEINBERGER LD: PIC:MFL:LEISCHNER PMS:ZORN TMR:KILKENNY LYR:(OR)ON:OFF=REF: G:\ENVCAD\SYRACUSE\ACT1\B0045362\0006\0000\04\DWG\CONTRACT\45362\G06.dwg LAYOUT: 6 SAVED: 2/8/2016 1:23 PM ACADVER: 13.1 S (LWS TECH) PAGES: 13 PLOT: PLTCONT.CTB PLOTTED: 2/8/2016 1:26 PM BY: STEINBERGER, GEORGE

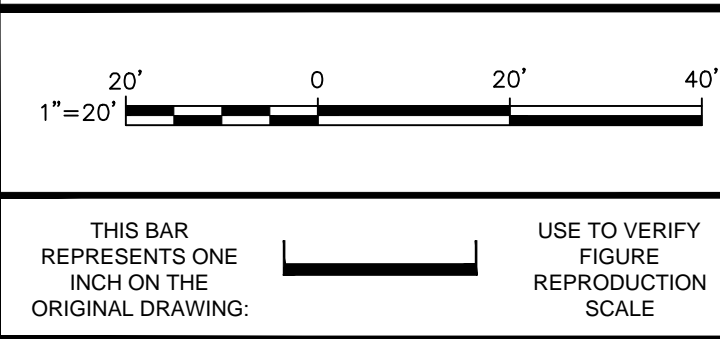


LEGEND:

- 5 — PROPOSED CONTOUR
- x CP-01 CONTROL POINT
- □ — SILT FENCE
- D — STORMWATER LINE
- EXISTING CATCH BASIN

CONTROL POINTS			
ID	NORTHING	EASTING	ELEVATION
CP-01	298248.22	1258080.11	1.00
CP-02	298247.92	1258090.58	1.00
CP-03	298242.99	1258095.20	1.00
CP-04	298231.91	1258100.13	1.00
CP-05	298217.13	1258110.60	1.00
CP-06	298199.89	1258129.70	1.00
CP-07	298184.81	1258142.33	1.00
CP-08	298166.34	1258171.28	1.00
CP-09	298154.95	1258183.91	1.00
CP-10	298141.10	1258197.15	1.00
CP-11	298125.40	1258214.71	1.00
CP-12	298070.11	1258170.04	1.00
CP-13	298067.96	1258148.17	1.00
CP-14	298068.88	1258134.93	1.00
CP-15	298071.34	1258122.30	1.00
CP-16	298081.81	1258105.66	1.00
CP-17	298120.91	1258060.39	1.00
CP-18	298138.14	1258036.36	1.00
CP-19	298138.76	1258014.49	1.00
CP-20	298156.93	1257994.78	1.00

- NOTES:**
- DETENTION BASIN NO. 2 BASE MAP INFORMATION FROM OTAK, DATED JANUARY 26, 2015, AT A SCALE OF 1" = 20'. APPROXIMATE LOCATION OF SITE FEATURES OUTSIDE THE OTAK SURVEY AREA OBTAINED FROM SLR INTERNATIONAL, DATED APRIL 2007 AT A SCALE OF 1" = 150'.
 - HORIZONTAL COORDINATE SYSTEM IS WASHINGTON STATE PLANE COORDINATE SYSTEM, NORTH ZONE (NAD 89/98) VERTICAL DATUM IS N.A.V.D. 88.
 - LOCATIONS OF EXISTING UTILITIES SHOWN ARE APPROXIMATE AND SHALL BE VERIFIED BY THE CONTRACTOR.
 - ADDITIONAL UTILITIES MAY EXIST. CONTRACTOR SHALL USE CHEVRON UTILITY LOCATING PROCEDURES TO LOCATE UTILITIES.
 - EXCAVATIONS SHALL BE SLOPED NO STEEPER THAN 2H:1V. CONTRACTOR IS RESPONSIBLE FOR SAFETY OF EXCAVATIONS AND PROPER TRENCHING, BENCHING, AND SLOPING IN ACCORDANCE WITH OSHA STANDARD 1926.



No.	Date	Revisions	By	Ckd

Professional Engineer's Name CARSTEN BECKER		
Professional Engineer's No. 39822		
State WA	Date Signed	Project Mgr. SZ
Designed by RPK	Drawn by GS	Checked by CB

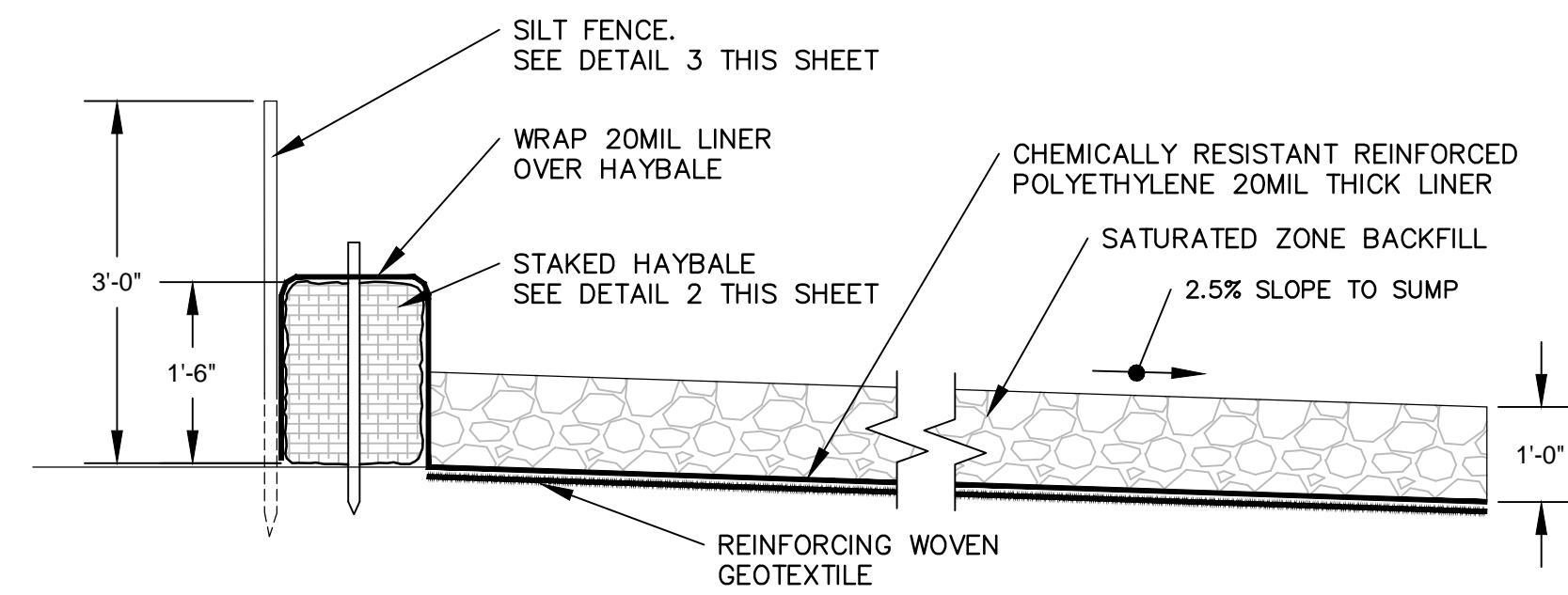


FORMER UNOCAL EDMONDS TERMINAL • EDMONDS, WASHINGTON
INTERIM ACTION FOR 2015 LOWER YARD

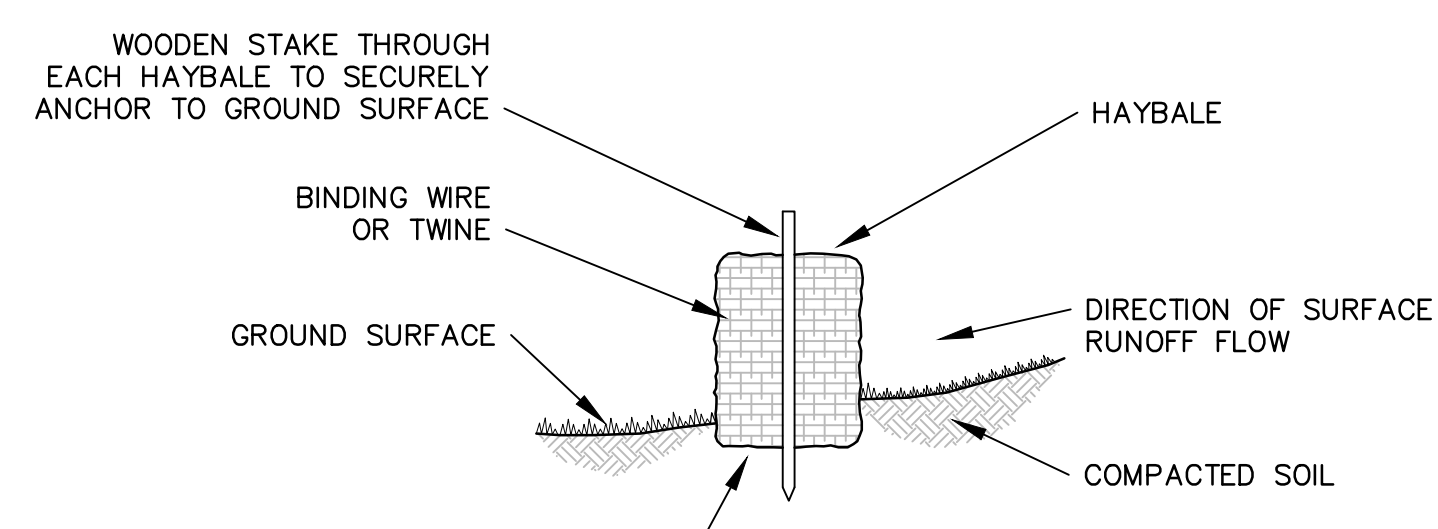
EXCAVATION PLAN

ARCADIS Project No. B0045362.0006.00004
Date MARCH 2016
ARCADIS U.S., INC. 1100 OLIVE WAY, SUITE 800 SEATTLE, WA, 98101 Tel: 206.726.4726

CITY:SYRACUSE;NY DIV\GROUP:ENV\CAD DBG\STEINBERGER LD: PIC\M\FLEISCHNER P\M\S\ZORN T\M\R\KILKENNY L\Y\R\O\I\O\N*OFF=*REF: G:\ENV\CAD\SYRACUSE\ACT\B0045362\0006\0000\04\DWG\CONTRACT\45362G11.dwg LAYOUT: 11_SAVED: 10/12/2015 3:40 PM ACADVER: 19.1S (LMS TECH) PAGES: 11 IMAGES: PROJECTNAME: ... XREFS: 45362X00

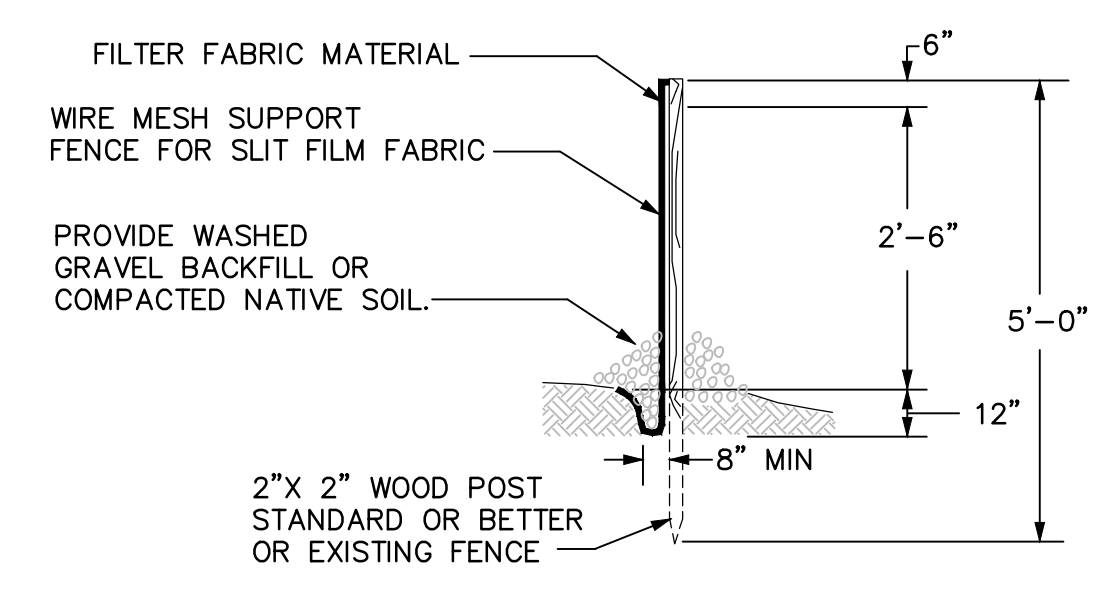
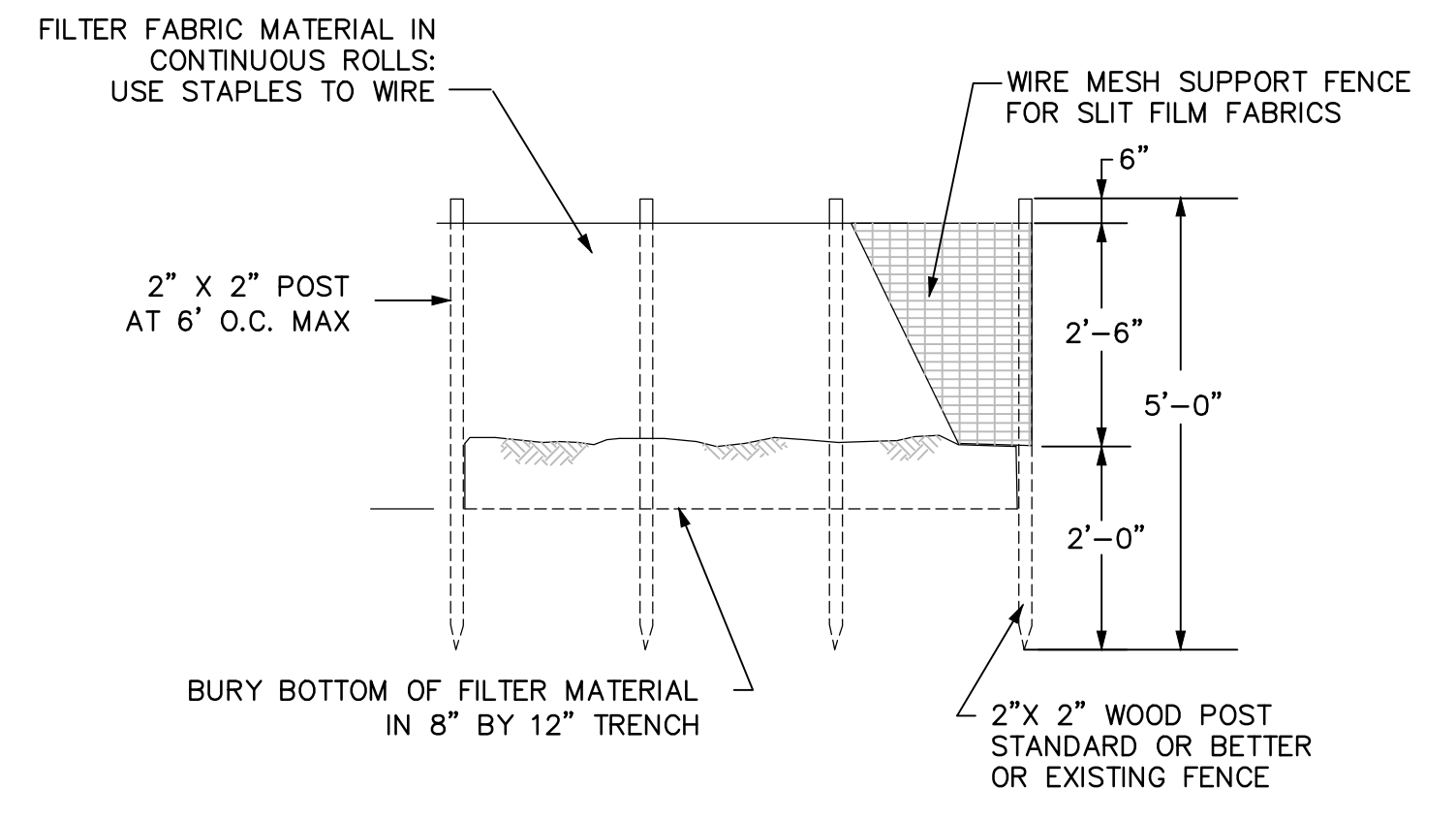


SOIL STAGING AREA DETAIL 1
NOT TO SCALE

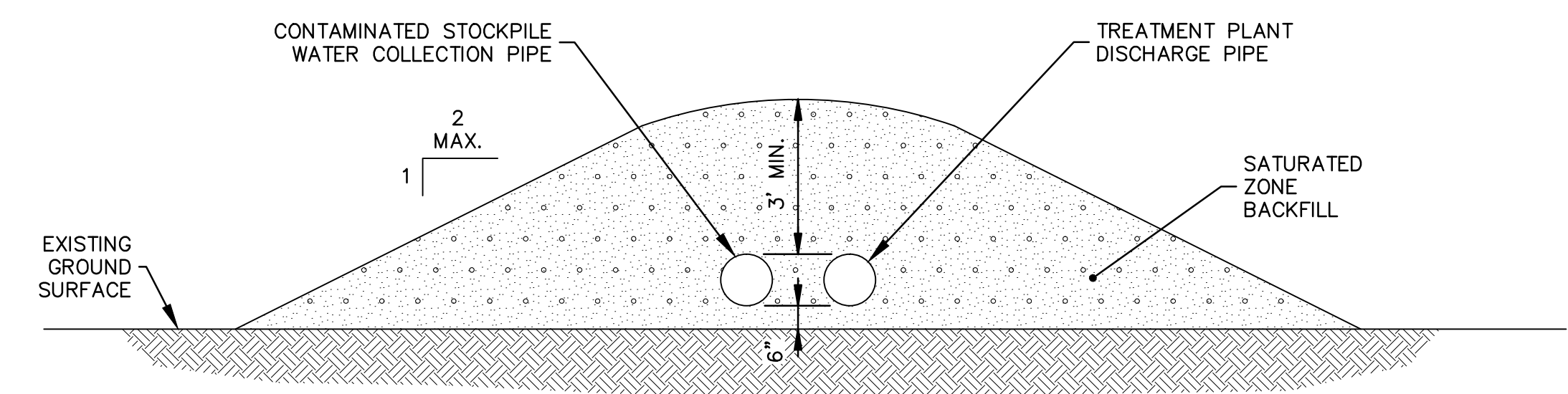


- NOTES:**
1. SEDIMENT DEPOSITS SHALL BE REMOVED AS NECESSARY TO PREVENT DAMAGE TO THE HAYBALE.
 2. THE HAYBALES WILL REMAIN IN PLACE UNTIL ALL EXCAVATED MATERIAL HAS BEEN REMOVED FROM THE SITE.

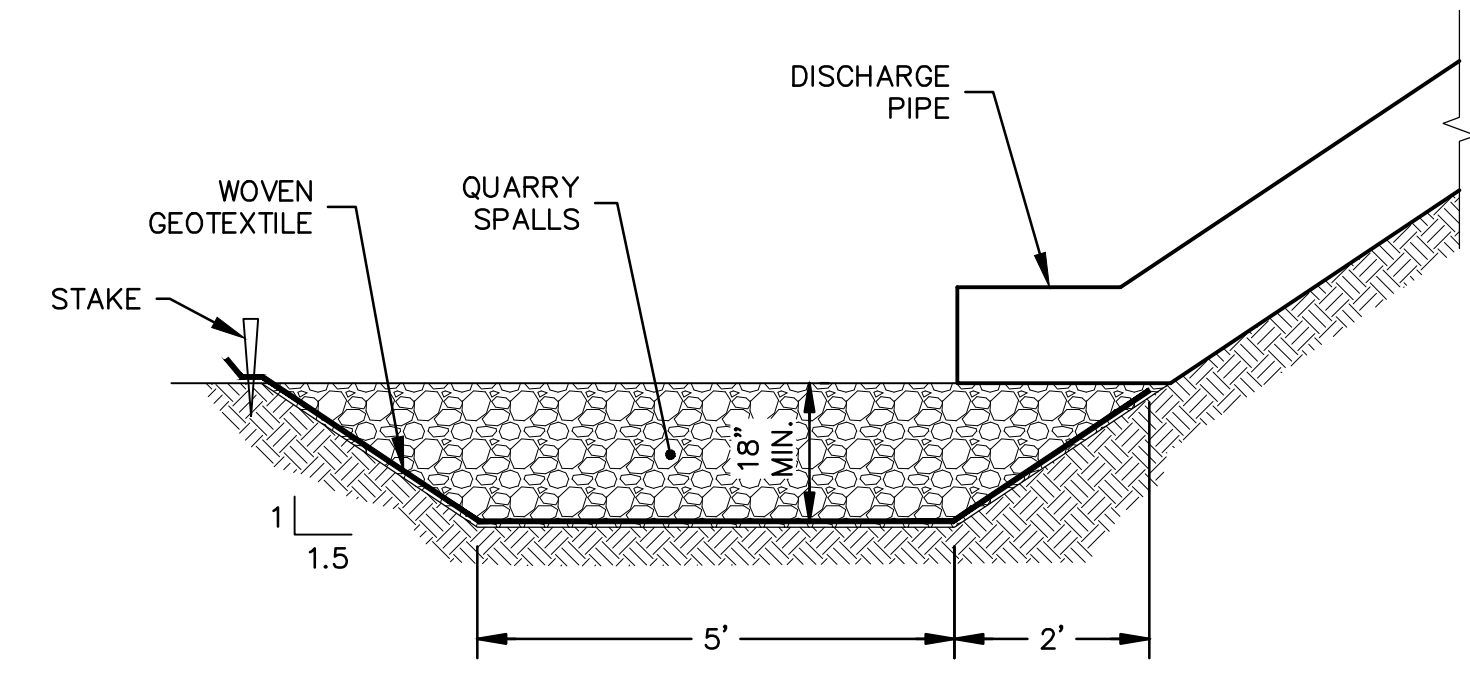
HAYBALE DETAIL 2
NOT TO SCALE



SILT FENCE DETAIL 3
NOT TO SCALE



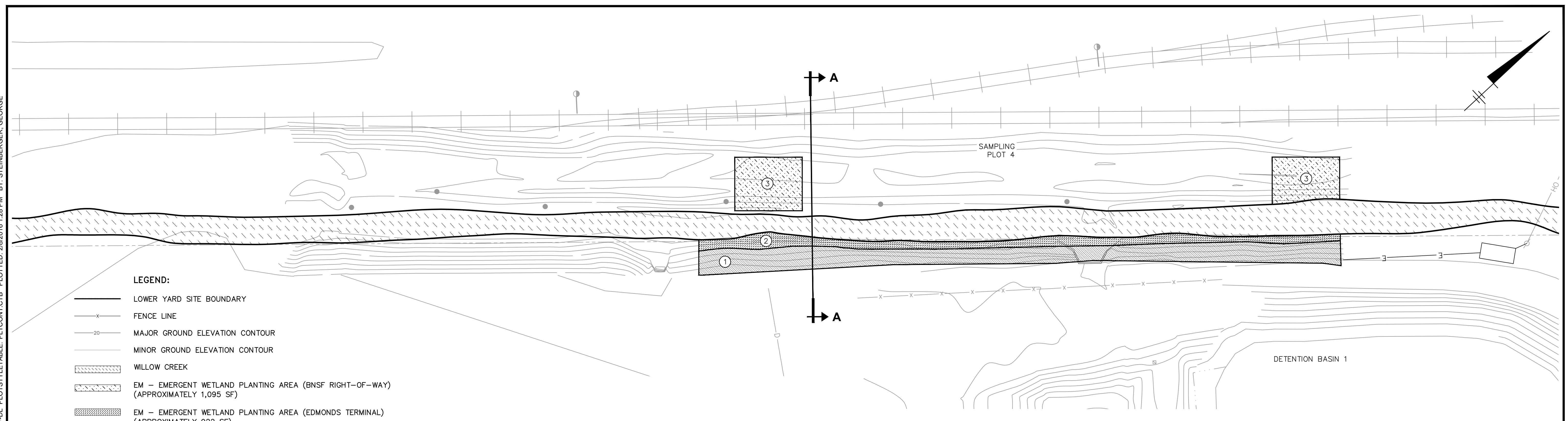
TYPICAL CULVERT FOR TREATMENT PLANT LINE CROSSING 4
NOT TO SCALE



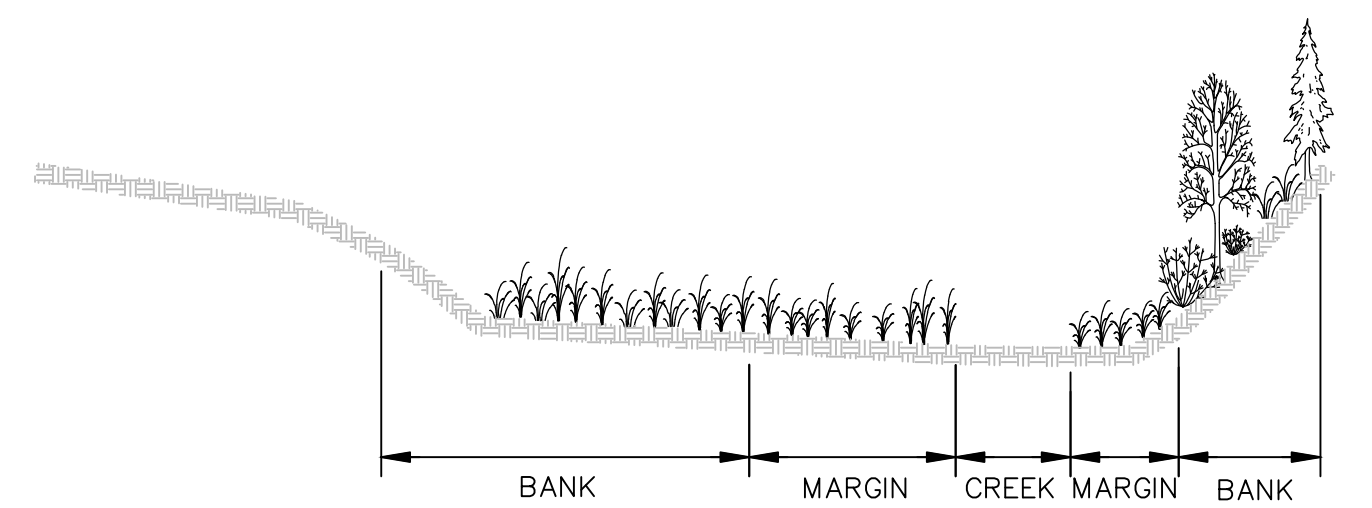
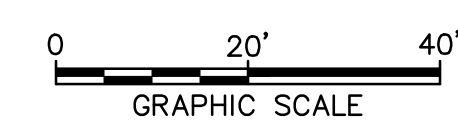
OUTFALL DETAIL 5
NOT TO SCALE

SCALE(S) AS INDICATED THIS BAR REPRESENTS ONE INCH ON THE ORIGINAL DRAWING:	USE TO VERIFY FIGURE REPRODUCTION SCALE	Professional Engineer's Name CARSTEN BECKER			FORMER UNOCAL EDMONDS TERMINAL • EDMONDS, WASHINGTON INTERIM ACTION FOR 2015 LOWER YARD	ARCADIS Project No. B0045362.0006.00004
		Professional Engineer's No. 39822				
No. Date Revisions By Ckd		State WA	Date Signed	Project Mgr. SZ	BMP DETAILS	ARCADIS U.S., INC. 1100 OLIVE WAY, SUITE 800 SEATTLE, WA, 98101 Tel: 206.726.4726
THIS DRAWING IS THE PROPERTY OF THE ARCADIS ENTITY IDENTIFIED IN THE TITLE BLOCK AND MAY NOT BE REUSED OR ALTERED IN WHOLE OR IN PART WITHOUT THE EXPRESS WRITTEN PERMISSION OF SAME.		Designed by RPK	Drawn by GS	Checked by CB		

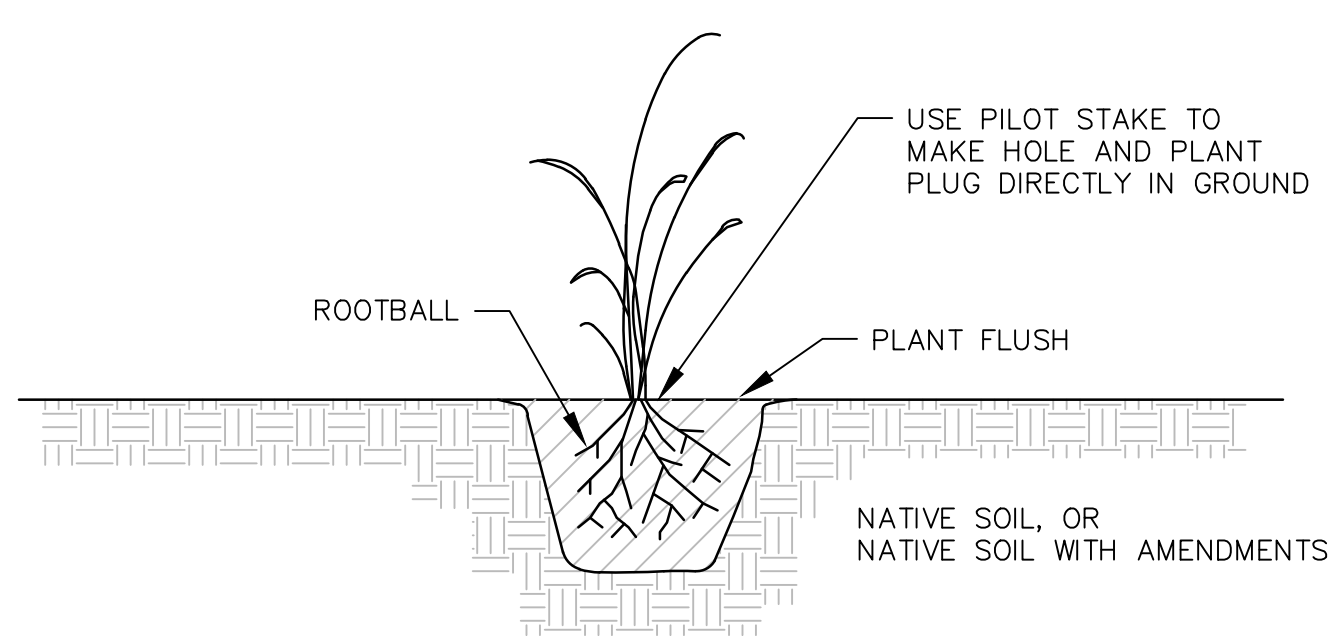
CITY:SYRACUSE,NY DIV:GROUP:ENV:CAD DB:G:STEINBERGER LD: PIC:M:FL:ISCHNER PM:S:ZORN TMR:KILKENNY LXR:(OR)N:OFF=REF: G:ENV:CAD:SYRACUSE:ACT1:B0045362:0006:0000:04:DWG:CONTRACT:45362G12.dwg LAYOUT: 12_SAVED: 10/12/2015 3:40 PM ACADVER: 19.1S (LMS TECH) PAGESETUP: PDF-DL_PLOTSTYLETABLE: PLTCONT.CTB PLOTTED: 2/8/2016 1:28 PM BY: STEINBERGER, GEORGE



- LEGEND:**
- LOWER YARD SITE BOUNDARY
 - x- FENCE LINE
 - 20- MAJOR GROUND ELEVATION CONTOUR
 - MINOR GROUND ELEVATION CONTOUR
 - WILLOW CREEK
 - EM - EMERGENT WETLAND PLANTING AREA (BNSF RIGHT-OF-WAY) (APPROXIMATELY 1,095 SF)
 - EM - EMERGENT WETLAND PLANTING AREA (EDMONDS TERMINAL) (APPROXIMATELY 922 SF)
 - FF - FLOODPLAIN FOREST PLANTING AREA (EDMONDS TERMINAL) (APPROXIMATELY 2,010 SF)
- ① PLANTING SPECIFICATION TABLE NUMBER ID



SECTION A



EMERGENT GRASSES PLANTING DETAIL

NTS

① TABLE 1 FLOOD PLAIN FOREST - WILLOW CREEK BANKS (EDMONDS TERMINAL) PLANTING SPECIFICATIONS

SPECIES		STRATUM	CONTAINER SIZE	DENSITY PER ACRE	QUANTITY
SCIENTIFIC NAME	COMMON NAME				
ALNUS RUBRA	RED ALDER	T	1 GALLON	725.00	34
PINUS CONTORTA VAR. CONTORTA	SHORE PINE	T	1 GALLON	250.00	12
SALIX LUCIDA SSP. LASIANDRA	PACIFIC WILLOW	T/S	1 GALLON	725.00	34
SALIX SITCHENSIS	SITKA WILLOW	S	1 GALLON	725.00	34
CORNUS SERICEA SPP. SERICEA	RED OSIER DOGWOOD	S	1 GALLON	600.00	28
TWINBERRY	LONICERA INVOLUCRATA	S	1 GALLON	400.00	19
DESCHAMPSIA CESPITOSA	TUFTED HAIRGRASS	H	BAREROOT	2000.00	94

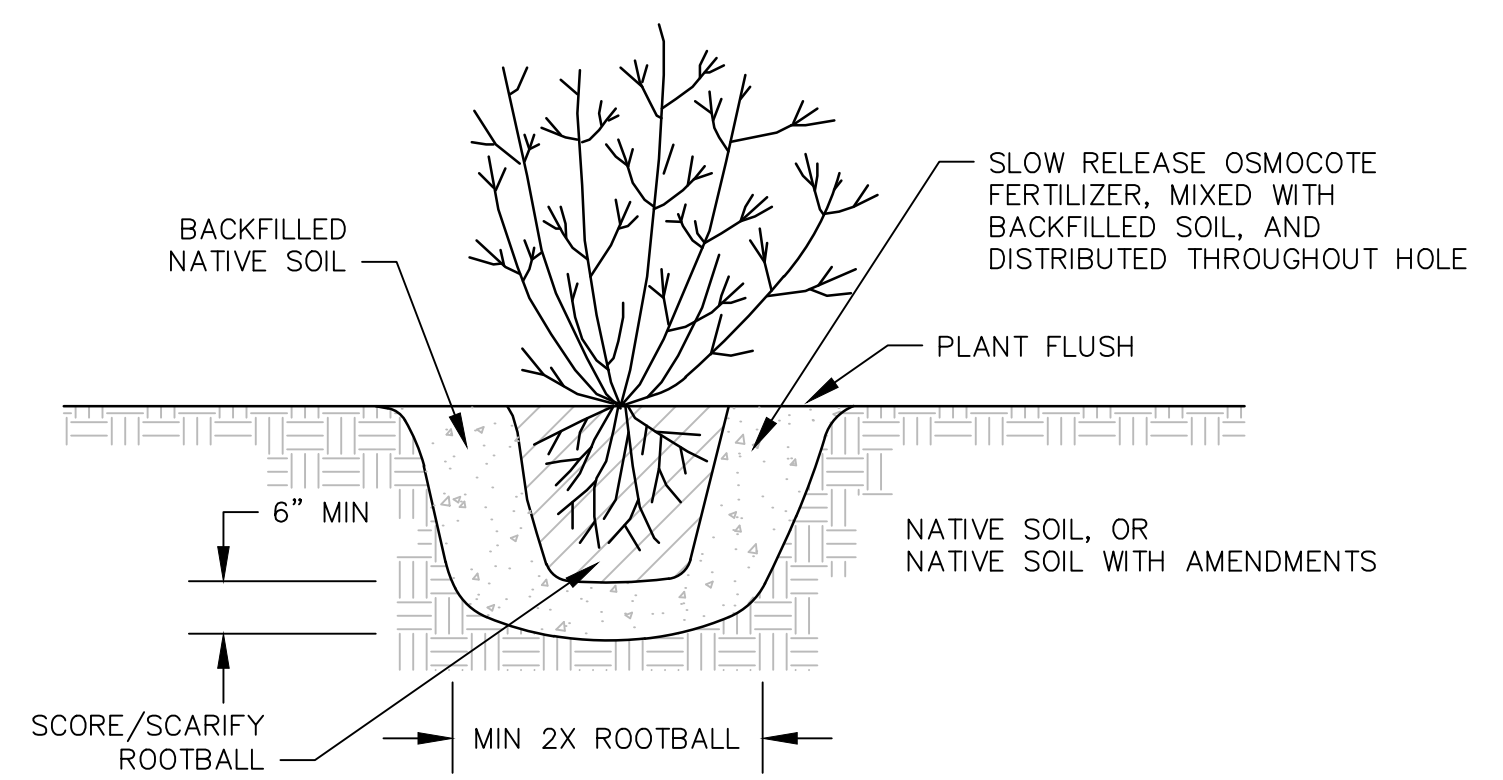
T=TREE; S=SHRUB; H=HERBACEOUS

② TABLE 2 EMERGENT WETLAND COMMUNITY - MARGINS OF WILLOW CREEK (EDMONDS TERMINAL) PLANTING SPECIFICATIONS

SPECIES		CONTAINER SIZE	DENSITY PER ACRE	QUANTITY
SCIENTIFIC NAME	COMMON NAME			
CAREX ABNUPTA	SLOUGH SEDGE	BAREROOT	3000	60
CAREX LYNGBEI	LYNGBY'S SEDGE	BAREROOT	1000	20
SCHOENOPLECTUS ACTUS VAR. ACUTUS	HARDSTEM BULRUSH	BAREROOT	2000	40
SCHOENOPLECTUS MARITIMUS	BASKET BULRUSH	BAREROOT	2000	40
SPARGANIUM ANGUSTIFOLIUM	NARROWLEAF BURREED	BAREROOT	2000	40

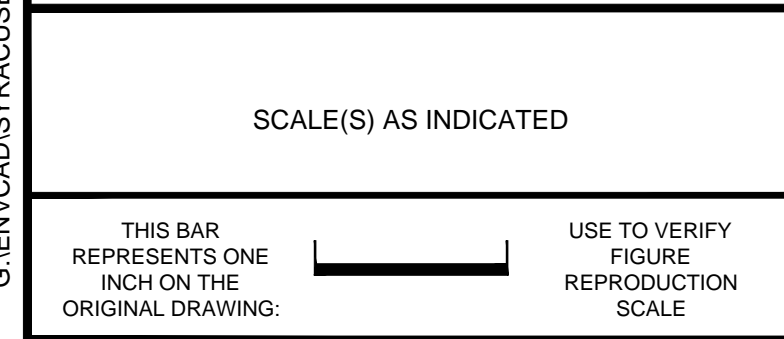
③ TABLE 2 EMERGENT WETLAND COMMUNITY - MARGINS OF WILLOW CREEK (BNSF RIGHT-OF WAY) PLANTING SPECIFICATIONS

SPECIES		CONTAINER SIZE	DENSITY PER ACRE	QUANTITY
SCIENTIFIC NAME	COMMON NAME			
CAREX ABNUPTA	SLOUGH SEDGE	BAREROOT	3000	75
CAREX LYNGBEI	LYNGBY'S SEDGE	BAREROOT	1000	25
SCHOENOPLECTUS ACTUS VAR. ACUTUS	HARDSTEM BULRUSH	BAREROOT	2000	50
SCHOENOPLECTUS MARITIMUS	BASKET BULRUSH	BAREROOT	2000	50
SPARGANIUM ANGUSTIFOLIUM	NARROWLEAF BURREED	BAREROOT	2000	50



SHRUB PLANTING DETAIL

NTS



No.	Date	Revisions	By	Ckd

THIS DRAWING IS THE PROPERTY OF THE ARCADIS ENTITY IDENTIFIED IN THE TITLE BLOCK AND MAY NOT BE REUSED OR ALTERED IN WHOLE OR IN PART WITHOUT THE EXPRESS WRITTEN PERMISSION OF SAME.



FORMER UNOCAL EDMONDS TERMINAL • EDMONDS, WASHINGTON
 INTERIM ACTION FOR 2015 LOWER YARD

PLANTING PLAN AND DETAILS

ARCADIS Project No.
 B0045362.0006.00004

Date
 MARCH 2016

ARCADIS U.S., INC.
 1100 OLIVE WAY, SUITE 800
 SEATTLE, WA, 98101
 Tel: 206.726.4726