

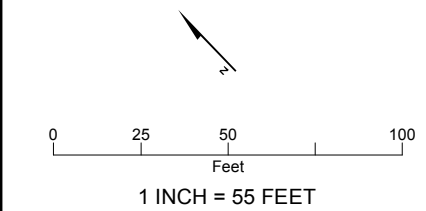


LEGEND

- Existing Well to be completed as below grade Recovery Well
- Above Grade Proposed Recovery Well
- Below Grade Proposed Recovery Well
- Vault
- Proposed Sanitary Sewer Clean Out
- Remediation Compound
- Construction Staging Areas

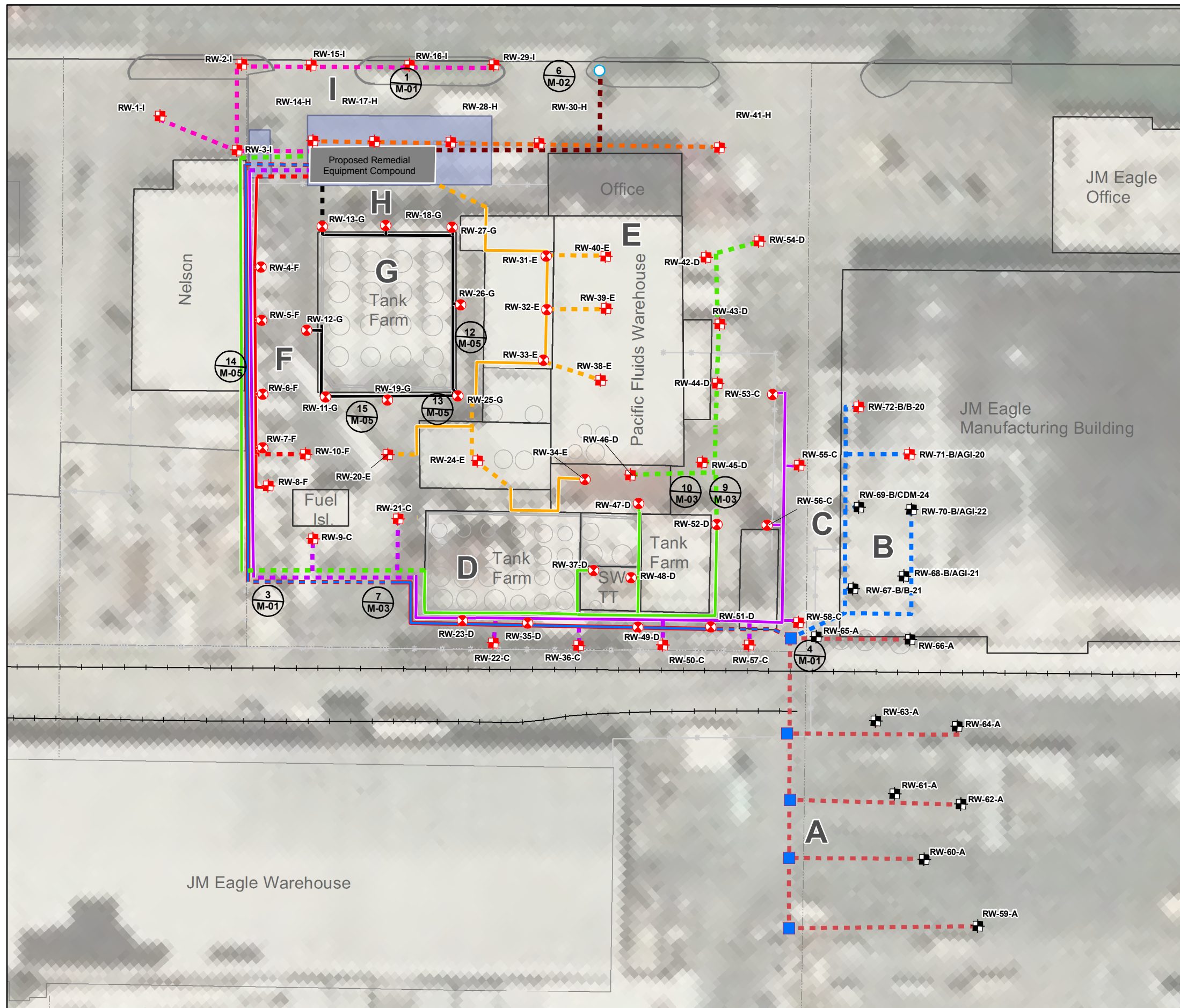
Piping Routes

- Field A - Below Grade (Existing)
- Field A/B - Above Grade
- Field A/B - Below Grade
- Field B - Below Grade (Existing)
- Field C - Below Grade
- Field C - Above Grade
- Field D - Below Grade
- Field D - Above Grade
- Field E - Below Grade
- Field E - Above Grade
- Field F - Below Grade
- Field F - Above Grade
- Field G - Below Grade
- Field G - Above Grade
- Field H - Below Grade
- Field H - Above Grade
- Field I - Below Grade
- Field I - Above Grade
- Sanitary Sewer Discharge- Below Grade



NOTE: Extraction wells are to be completed with a 4-inch diameter well casing unless noted otherwise

NOTE: This figure was created using ArcGIS.

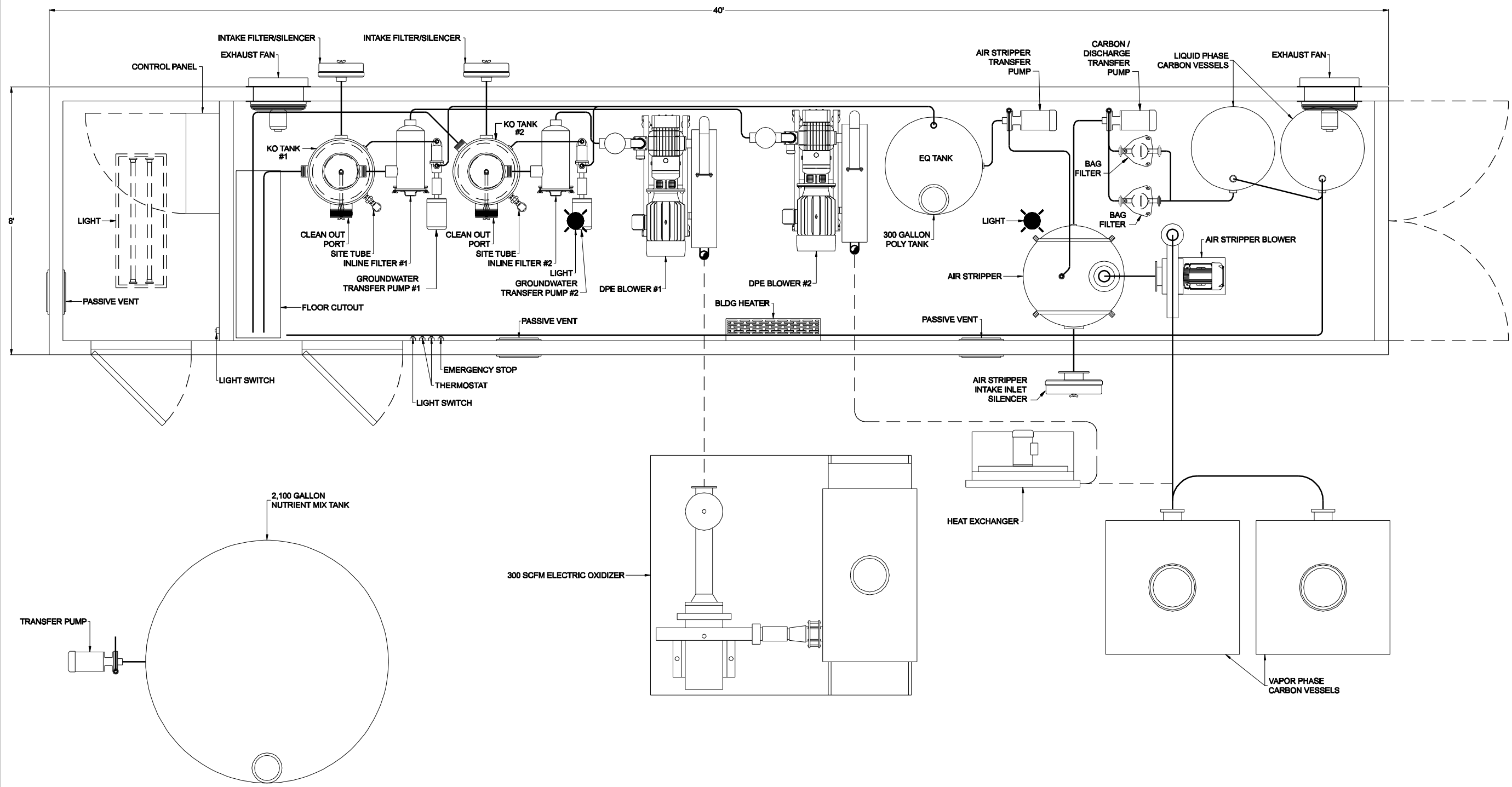


NO.	DATE	DR	ML/BT
1			
2			
3			
4			
5			
6			
7			
8			
9			
10			
11			
12			
13			
14			
15			
16			
17			
18			
19			
20			
21			
22			
23			
24			
25			
26			
27			
28			
29			
30			
31			
32			
33			
34			
35			
36			
37			
38			
39			
40			
41			
42			
43			
44			
45			
46			
47			
48			
49			
50			
51			
52			
53			
54			
55			
56			
57			
58			
59			
60			
61			
62			
63			
64			
65			
66			
67			
68			
69			
70			
71			
72			
73			
74			
75			
76			
77			
78			
79			
80			
81			
82			
83			
84			
85			
86			
87			
88			
89			
90			
91			
92			
93			
94			
95			
96			
97			
98			
99			
100			

CH2MHILL
 LILYBLAD SITE REMEDIATION
 WASHINGTON STATE DEPARTMENT
 OF ECOLOGY

**DPE WELL AND
 PIPING LAYOUT**

DATE	OCTOBER 2008
PROJ	380987
DWG	C-02
SHEET	3 of 12



REMEDIAL COMPOUND
NTS

- NOTES:
 1. ALL ABOVE GROUND PIPING TO BE INSULATED AND HEAT TRACED.
 2. ALL BELOW GROUND PIPING TO BE WIRE TRACED.

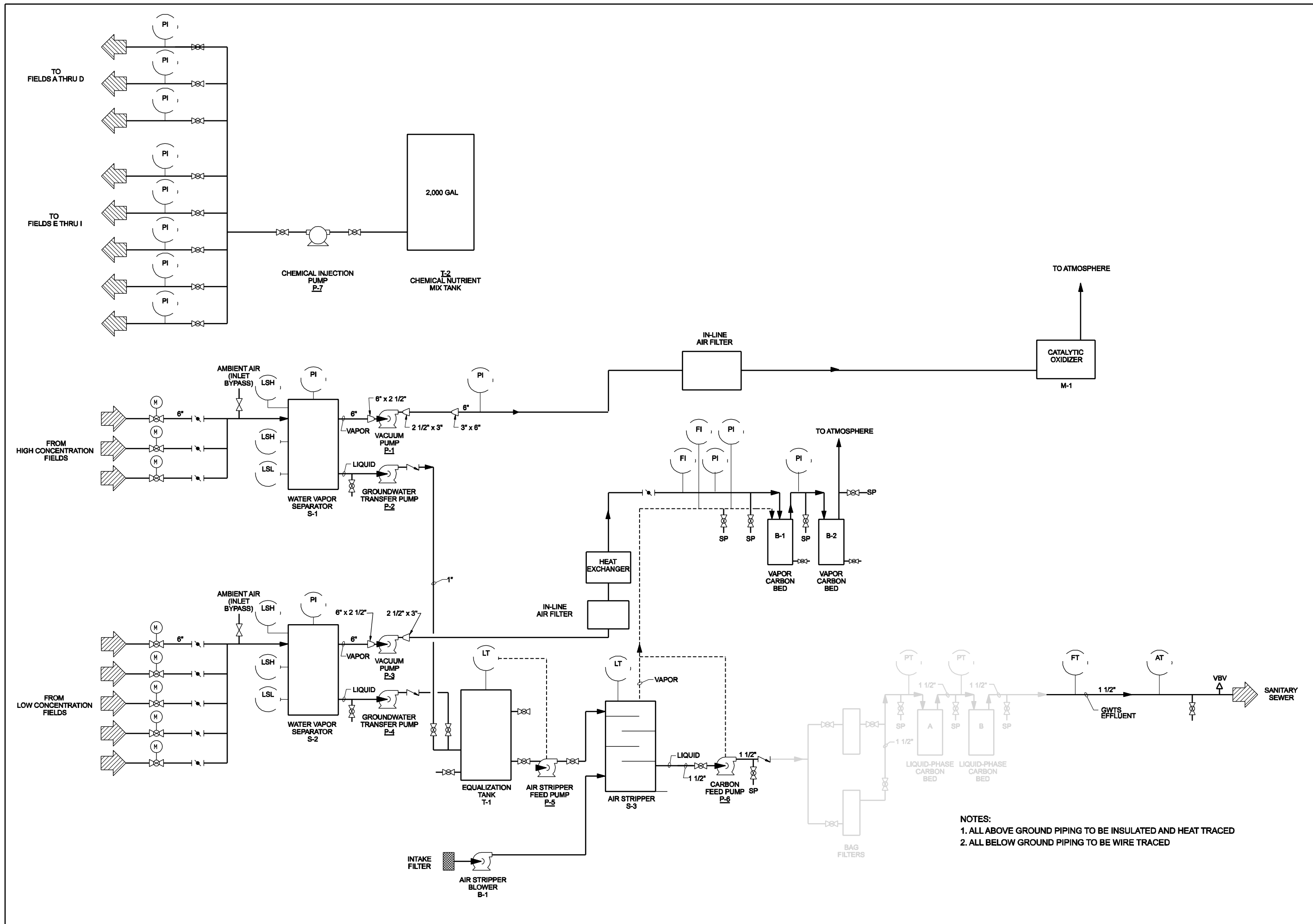
DATE	OCTOBER 2008
PROJ	380987
DWG	C-03
SHEET	4
NO. DATE	BT / ML
DR	DR
REVISION	CHK
ML / BF	ML / BF
APVD	APVD
BY	MP

LILYBLAD SITE REMEDIATION
 WASHINGTON STATE DEPARTMENT
 OF ECOLOGY

CH2MHILL

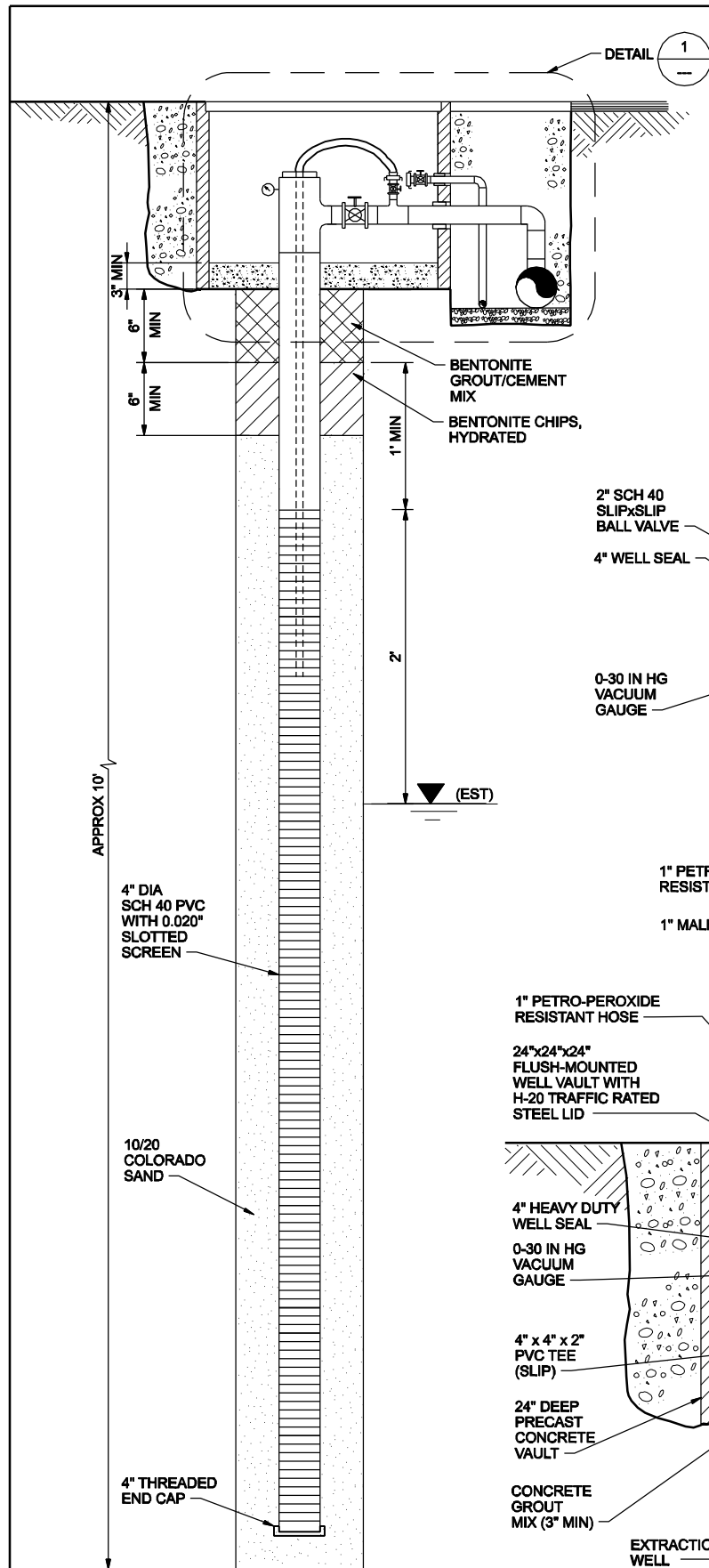
REMEDIAL COMPOUND
 PLAN VIEW

DATE	OCTOBER 2008
PROJ	380987
DWG	C-03
SHEET	4



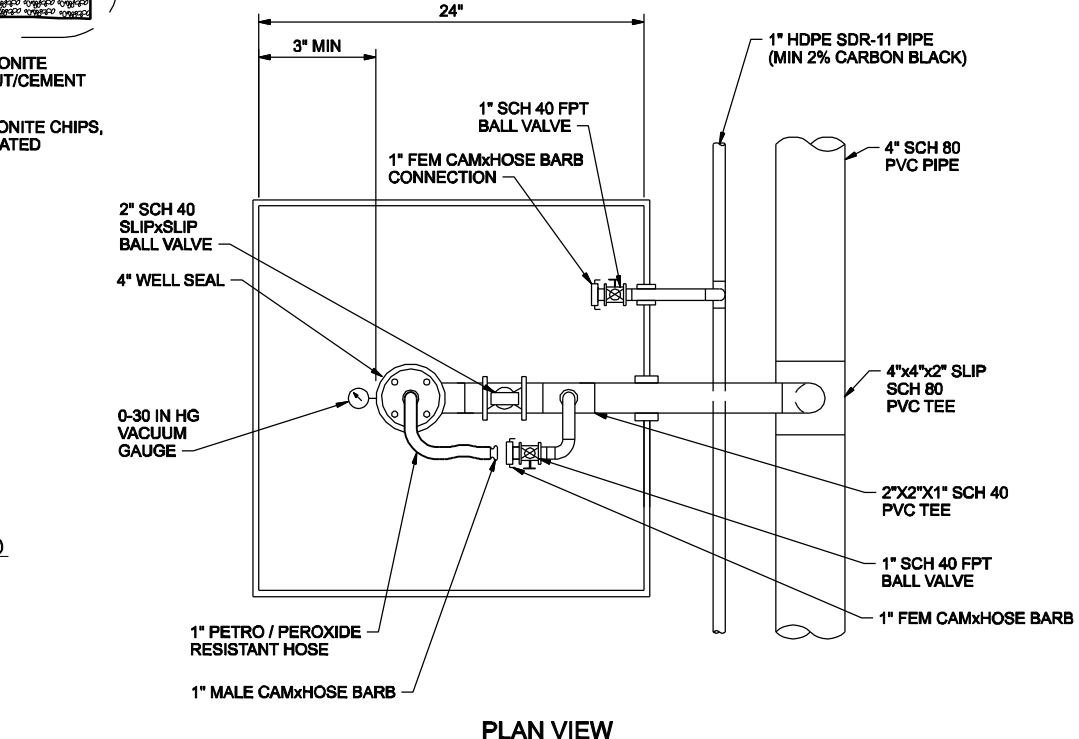
NOTES:
 1. ALL ABOVE GROUND PIPING TO BE INSULATED AND HEAT TRACED
 2. ALL BELOW GROUND PIPING TO BE WIRE TRACED

CH2MHILL LILYBLAD SITE REMEDIATION WASHINGTON STATE DEPARTMENT OF ECOLOGY		NO. _____	DATE _____	DR _____	BT / ML _____
		DESIGN	REVISION	CHK _____	AH _____
PROCESS AND INSTRUMENTATION DIAGRAM REMEDIATION SYSTEM		BY APVD _____	ML / BF _____	APVD _____	MP _____
DATE OCTOBER 2008 PROJ 380987 DWG I-02 SHEET 11					



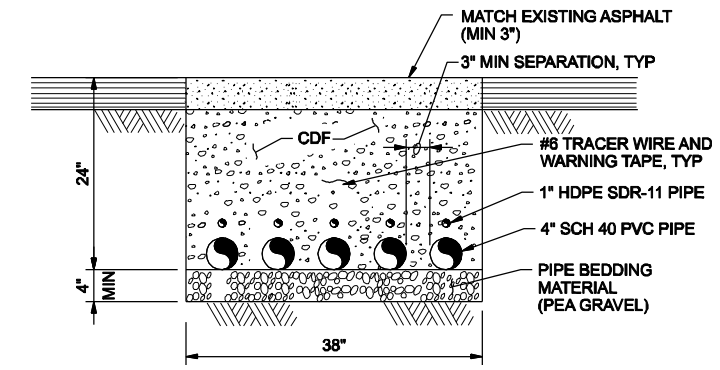
**DPE BELOW GRADE
EXTRACTION WELL
CONSTRUCTION, TYP**
NOT TO SCALE

1 BELOW GRADE WELLHEAD, TYP 1 OF 27
NOT TO SCALE

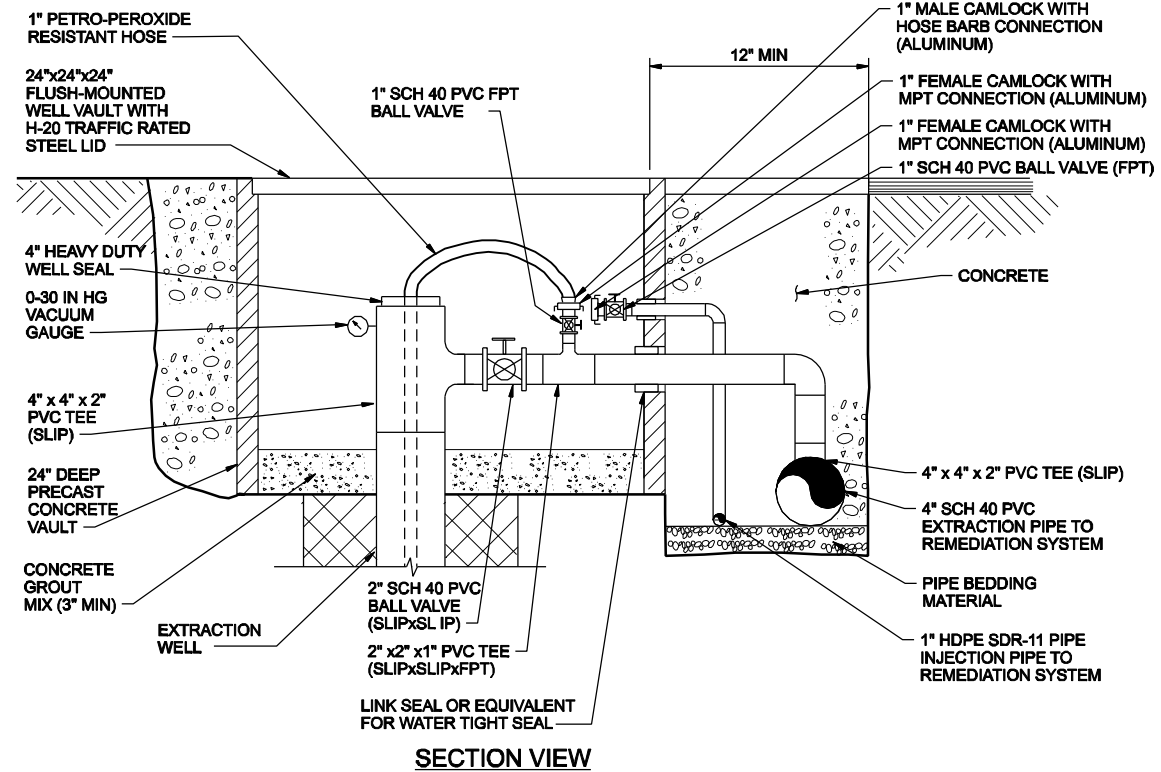


PLAN VIEW

5 TRENCH DETAILS
NOT TO SCALE
F-01



3 TRENCH DETAILS
NTS
F-01



SECTION VIEW

9 FIELD A/B WELL VAULT DETAIL
NOT TO SCALE
F-01

LILYBLAD SITE REMEDIATION WASHINGTON STATE DEPARTMENT OF ECOLOGY		CH2MHILL		DPE WELL DETAILS	
NO. DSGN	DATE	DR	BT / ML	REVISION	CHK
				ML / BF	APVD
				BY	MP
DATE: OCTOBER 2008					
PROJ: 380987					
DWG: M-01					
SHEET: 5					