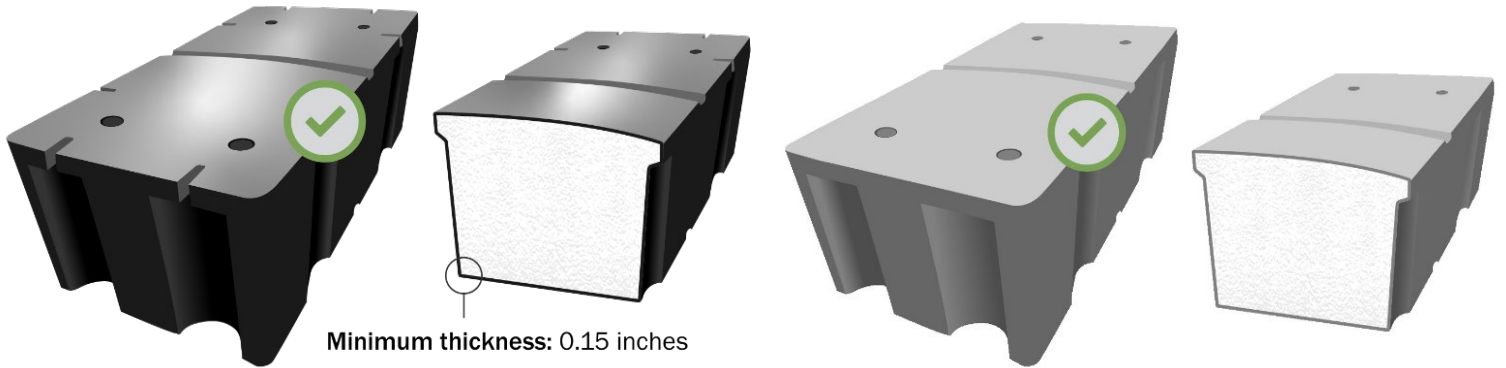


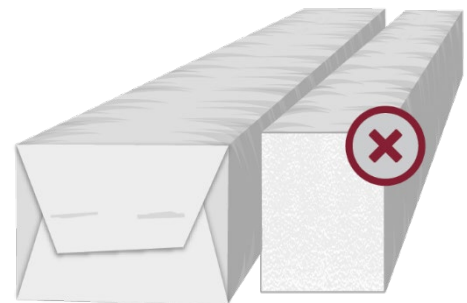
Washington State Foam Docks and Blocks Law

For distributors, dock builders, marinas, and waterfront property owners

Beginning January 1, 2024, polystyrene foam used in docks, floating blocks, or overwater structures must be fully enclosed in a shell made of plastic (at least 0.15-inches thick), concrete, aluminum, or steel. [RCW 70A.245.130](#)



Installing exposed polystyrene foam and foam wrapped in plastic film is prohibited in new dock repairs and construction.



Additional regulatory requirements apply to overwater structure projects.

Need a permit or more information related to dock repairs and installation?

oria.wa.gov → Search for “docks”



Want to contact a WDFW Habitat Biologist to help with project planning in your area?

wdfw.wa.gov → Search for “habitat biologist”



To request an ADA accommodation, contact Ecology by phone at 360-742-9874 or visit <https://ecology.wa.gov/accessibility>. For Relay Service or TTY call 711 or 877-833-6341.

Don't speak English? Free language services are available.
Call 360-742-9874.

