

# **Technical Appendix to the Ambient Database Management System**

---

**Version 1.5**

December 1996

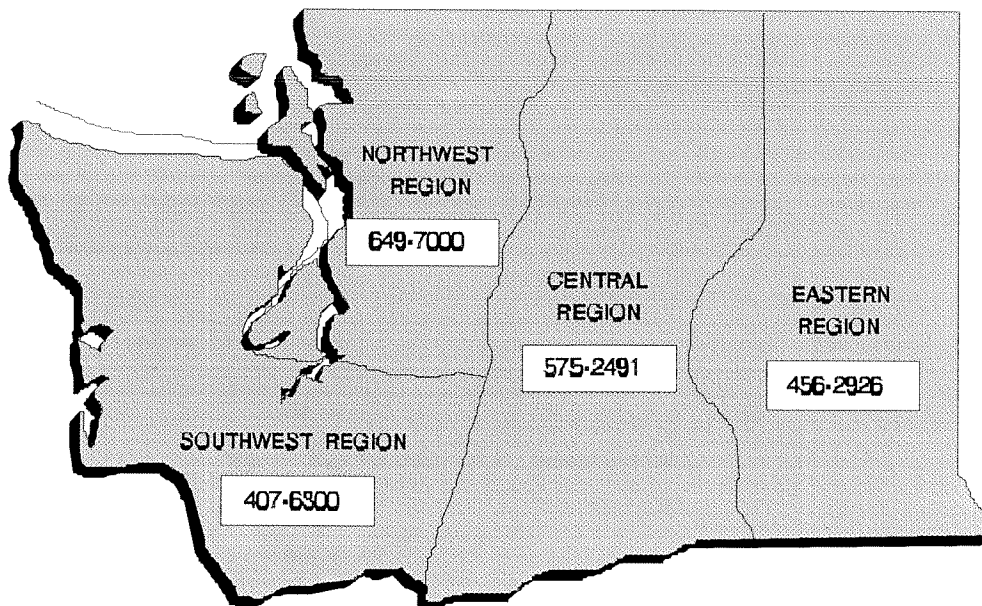
Printed on Recycled Paper



For additional copies of this report, contact:

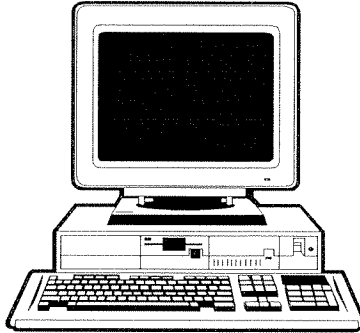
Department of Ecology  
Publications  
P.O. Box 47600  
Olympia, WA 98504-7600  
Telephone: (360) 407-7472

The Department of Ecology is an equal opportunity agency and does not discriminate on the basis of race, creed, color, disability, age, religion, national origin, sex, marital status, disabled veteran's status, Vietnam Era veteran's status, or sexual orientation.



For more information or if you have special accommodation needs, please contact Kim Haggard at (360) 407-6677. Ecology Headquarters telecommunications device for the deaf (TDD) number is (360) 407-6006. Ecology Regional Office TDD numbers are as follows:

SWRO (TDD) (360) 407-6306  
NWRO (TDD) (206) 649-4259  
CRO (TDD) (509) 454-7673  
ERO (TDD) (509) 458-2055



# **Technical Appendix to the Ambient Database Management System**

---

**Version 1.5**

Prepared by:  
Dave Hallock

Washington State Department of Ecology  
Environmental Investigations and Laboratory Services Program  
Olympia, Washington 98504-7710

December 1996

# Technical Appendix

## Miscellaneous Notes

### Changing Programs

After changes are made to programs used by the database management system (DBMS), the program must be recompiled (COMPILE *filename*), and the .DBO file created copied to J:\AMBIENT\DBMSRUN (version 1.1) for these changes to be seen in runtime operations. The dBase® program COMPCOPY.PRG will compile all programs accessed through the DBMS and copy them to the version 1.1 runtime directory. The version 2.0 runtime directory (J:\AMBIENT\DBMSRUN2) is updated by recompiling DBMS.EXE. Two batch files, COMPILE.BAT and LINK.BAT, perform this function. The dBase® compiler programs BDC.EXE and BDL.EXE are required.

### Changing Reports

Reports can be modified by directly editing the code in the report program (.FRG). However, most if not all reports have a utility program to open and relate databases, select fields, and load the appropriate report form (.FRM) for graphical modification--which does not require a knowledge of programming. These utilities are listed under "Report Modification Utilities." (Any modifications made directly to the .FRG file will be undone if changes are subsequently made using the report modification utility.) To add a field to a report using the report form, the field must first be added to the field lists in both the utility program and the program which calls the report.

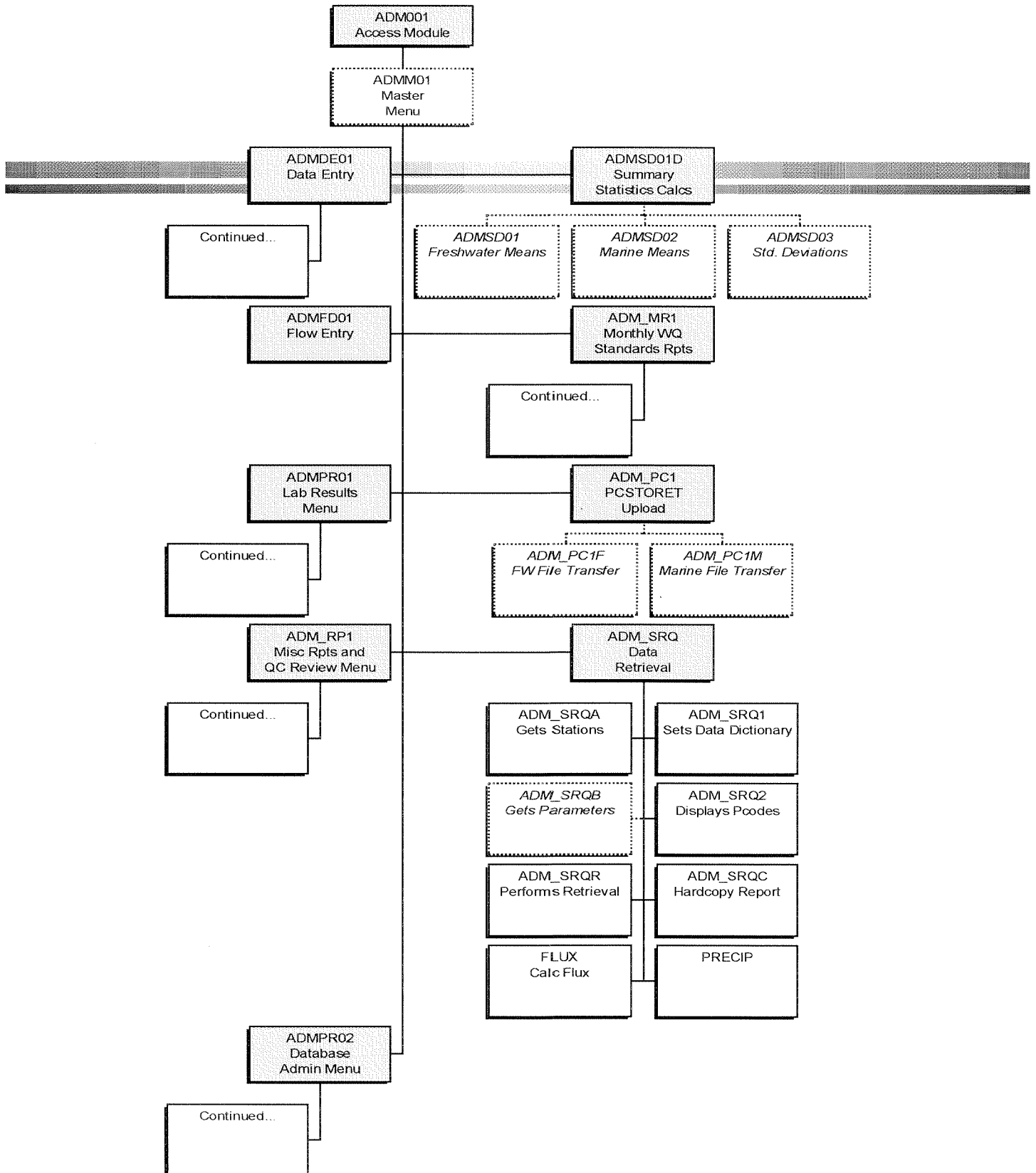
### Network Notes

1. The database managers group is "DBMGR1."
2. The lakes database group is "DBLAKES." (Lakes databases are not documented.)
3. The network command "Security" will list a directory's users with access rights.
4. The network command "Syscon" lists group members.
5. The network command "Filer" allows changing users and access rights.
6. The dBase® command "Display Users" lists network users currently in dBase®.

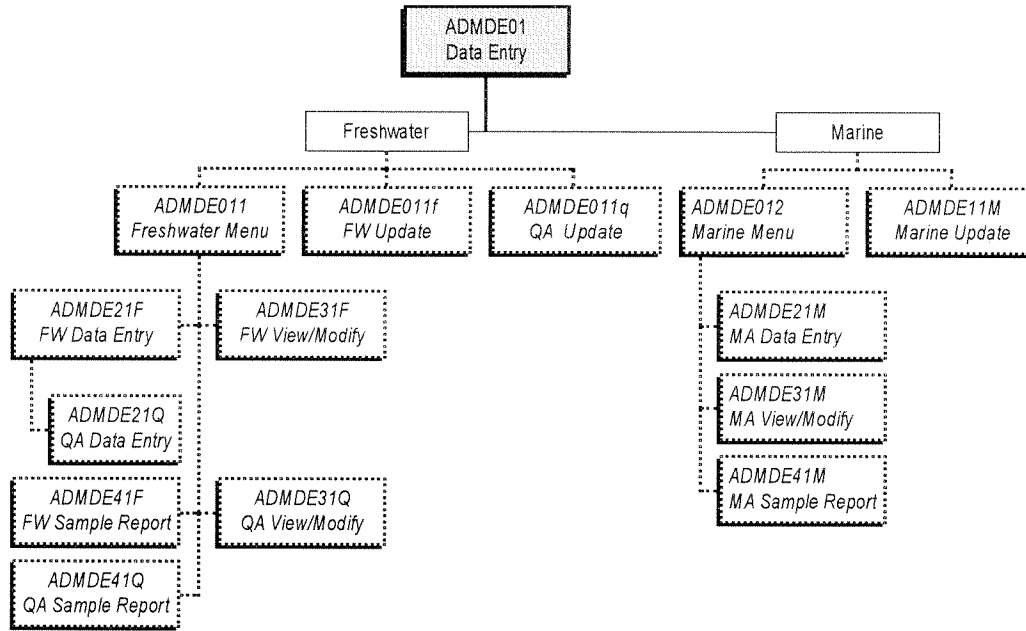
### Program Flow Charts

The following four flow charts show the programs accessed through the DBMS. Programs incorporated as procedures within higher-level programs are shown with dashed lines.

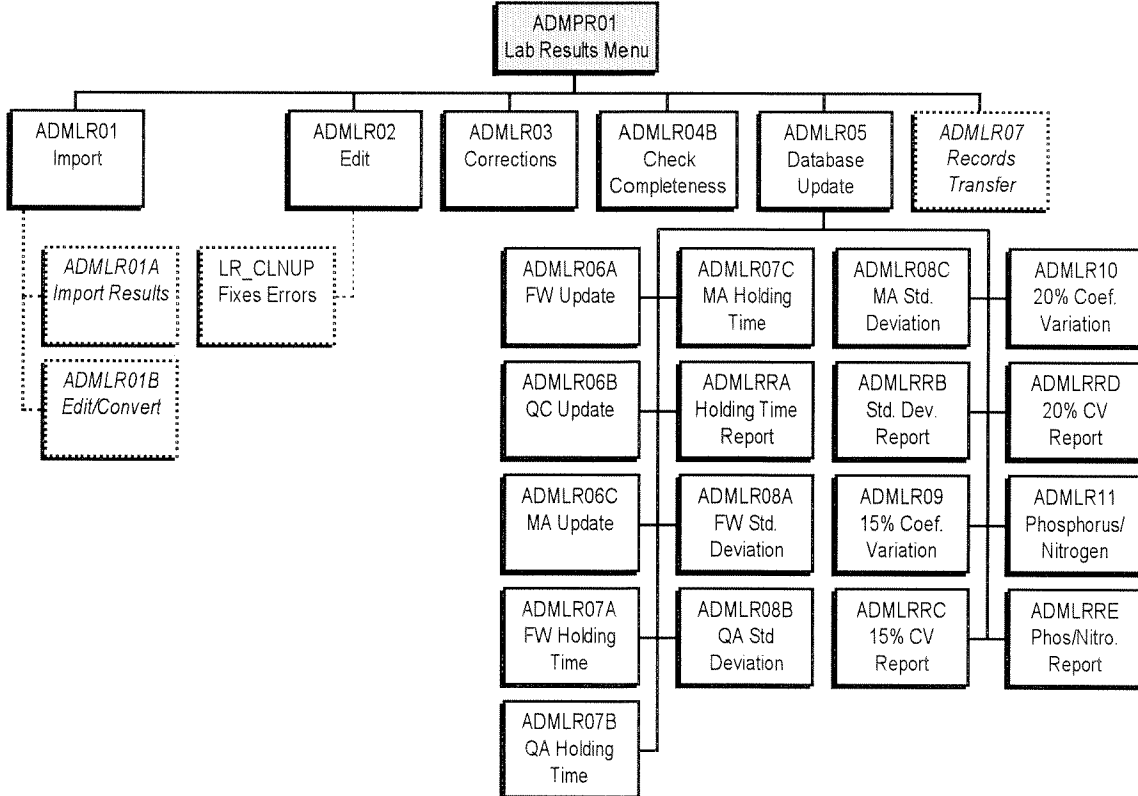
# PROGRAM FLOW



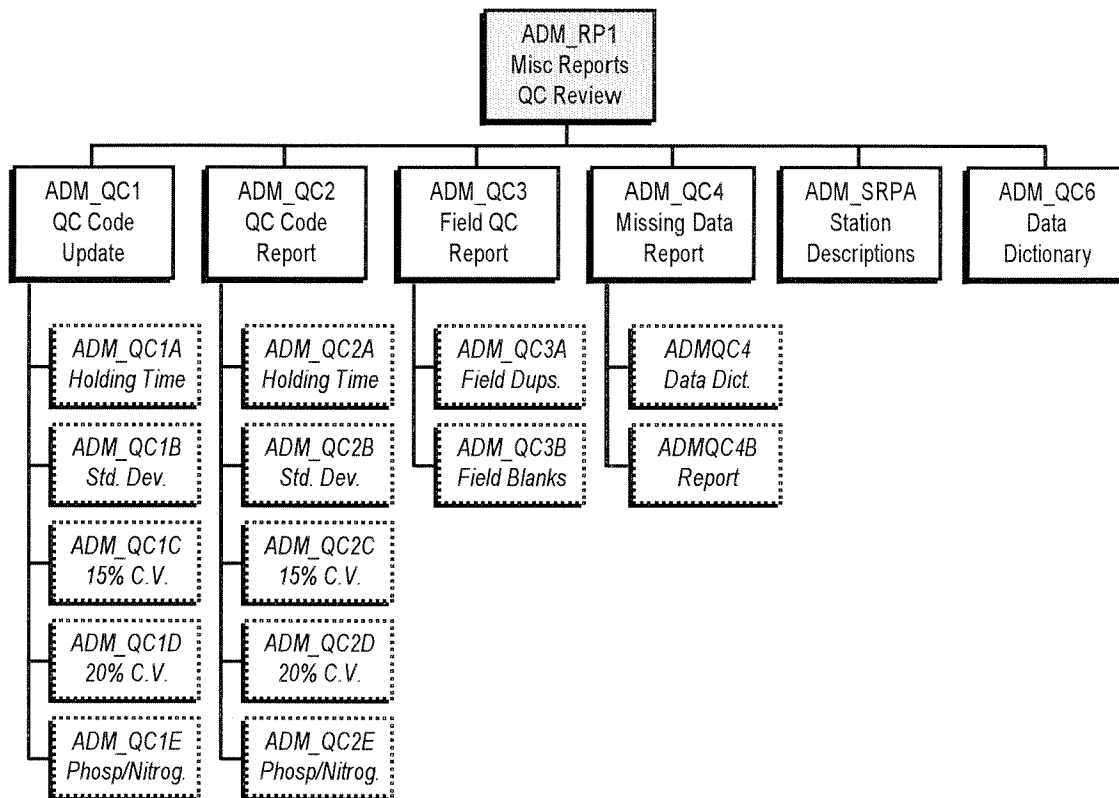
## Data Entry



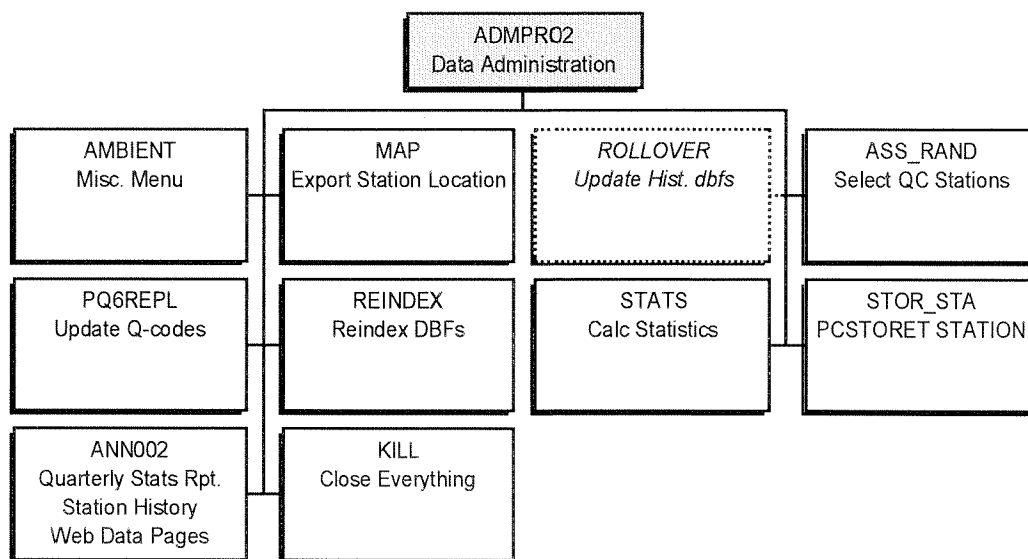
## Lab Results Menu



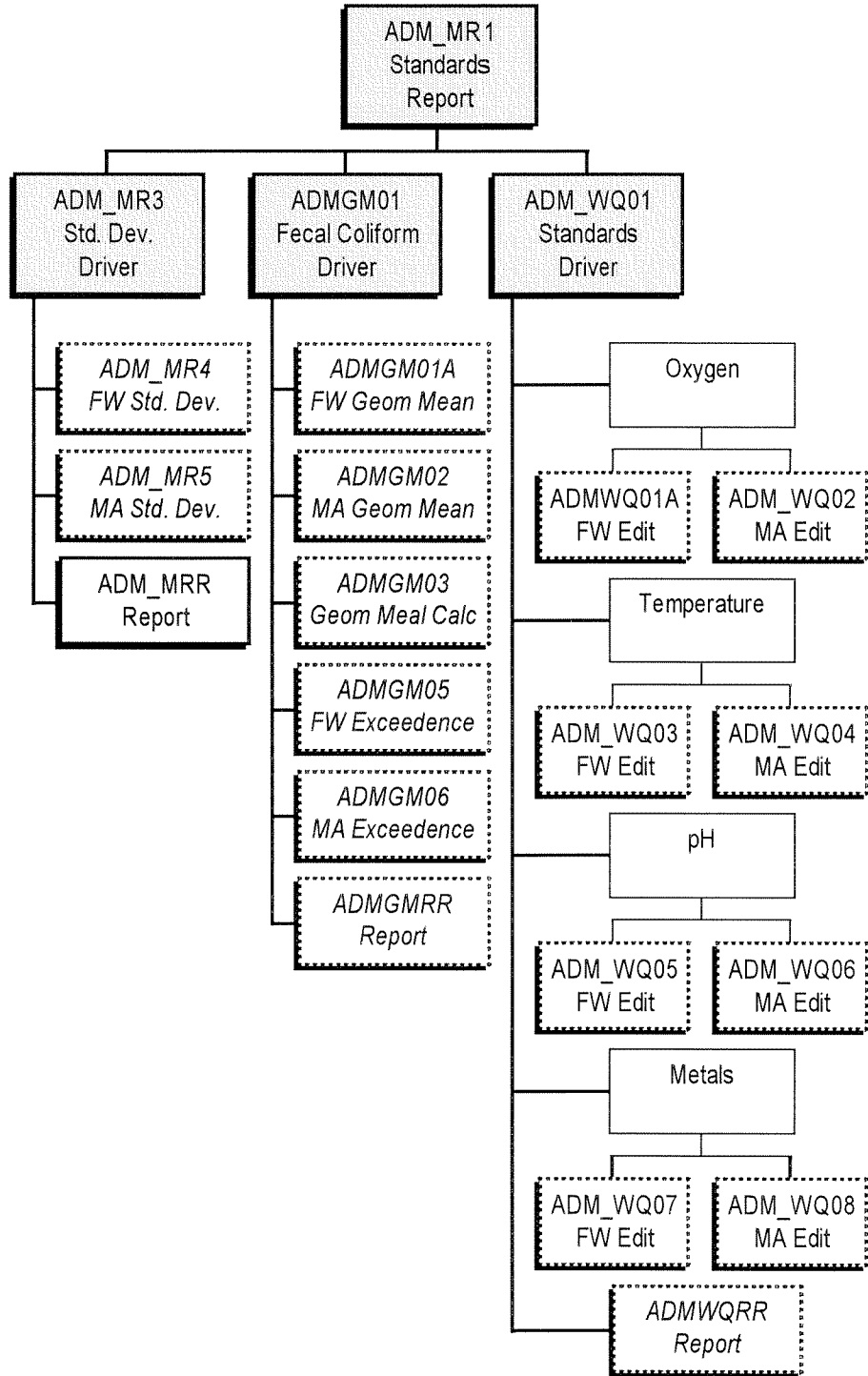
## Misc. Reports/ QC Review



## Data Administration



# Monthly Water Quality Standards Reports





# Program Descriptions

There are three categories of programs in the DBMS. Most programs involving the Ambient Monitoring Section's (AMS) DBMS are run by selecting menu options presented in the driver program ADM001.PRG. These programs are listed under "Programs in DBMS Flow" and their relationship is shown graphically in the "Program Flow Charts" section. There are several programs which are run from the dBase® dot-prompt to assist in modifying DBMS reports. These are listed under "Report Modification Utilities." A number of programs are peripheral to the DBMS and accessible only at the dBase® dot-prompt. Some of these programs may need to be customized with a text editor prior to running. These programs are listed under "Other Programs." Finally, "Reports" and "Printer Control Files" are also listed.

## Programs in DBMS Flow

(Most of these programs are described in the "Program Flow Charts" section.)

ADM_MR1.PRG	ADMLR06C.PRG
ADM_MR3.PRG	ADMLR07A.PRG
ADM_MRR.PRG	ADMLR07B.PRG
ADM_PC1.PRG	ADMLR07C.PRG
ADM_QC1.PRG	ADMLR08A.PRG
ADM_QC2.PRG	ADMLR08B.PRG
ADM_QC3.PRG	ADMLR08C.PRG
ADM_QC4.PRG	ADMLR09.PRG
ADM_RP1.PRG	ADMLR10.PRG
ADM_SRPA.PRG	ADMLR11.PRG
ADM_SRPB.PRG	ADMLRRA.PRG
ADM_SRQ.PRG	ADMLRRB.PRG
ADM_SRQ1.PRG	ADMLRRC.PRG
ADM_SRQ2.PRG	ADMLRRD.PRG
ADM_SRQA.PRG	ADMLRRE.PRG
ADM_SRQB.PRG	ADMPR01.PRG
ADM_SRQC.PRG	ADMPR02.PRG
ADM_SRQR.PRG	ADMSD01D.PRG
ADM_WQ01.PRG	AMBIENT.PRG
ADM001.PRG	ANN002.PRG
ADMDE01.PRG	ASSRAND2.PRG
ADMFD01.PRG	FLUX.PRG
ADMGM01.PRG	KILL.PRG
ADMLR01.PRG	MAP.PRG
ADMLR02.PRG	MOMENT__1.PRG
ADMLR03.PRG	MOMENT__2.PRG
ADMLR04B.PRG	PQ6REPL.PRG
ADMLR05.PRG	REINDEX.PRG
ADMLR06A.PRG	STATS.PRG
ADMLR06B.PRG	STOR_STA.PRG

## Report Modification Utilities

ADM_MRRU.PRG	Modifies Report ADM_MRP1
ADM_SRP1.PRG	Modifies Report ADMSRPA
ADM_SRP2.PRG	Modifies Report ADMSRPB
ADMGMRRU.PRG	Modifies Report ADMGMRP1
ADMLRR1.PRG	Modifies Report ADMLR07
ADMLRR2.PRG	Modifies Report ADMLR08
ADMLRR3.PRG	Modifies Report ADMLR09
ADMLRR4.PRG	Modifies Report ADMLR10
ADMLRR5.PRG	Modifies Report ADMLR11
ADMQC2AR.PRG	Modifies Report ADMQC2AR
ADMQC2BR.PRG	Modifies Report ADMQC2BR
ADMQC2CR.PRG	Modifies Report ADMQC2CR
ADMQC2DR.PRG	Modifies Report ADMQC2DR
ADMQC2ER.PRG	Modifies Report ADMQC2ER
ADMQC3AR.PRG	Modifies Report ADMQC3AR
ADMQC3BR.PRG	Modifies Report ADMQC3BR
ADMQC4RF.PRG	Modifies Report ADMQC4RF
ADMQC4RM.PRG	Modifies Report ADMQC4RM
ADMWQRRU.PRG	Modifies Report ADM_MRP1
ANN002FW.PRG	Modifies Report ANN002FW
ANN002MW.PRG	Modifies Report ANN002MW

## Other Programs

ADMIN.PRG	Sets tabs for editing programs
ADMLR04.PRG	Enters date analyzed (menu driven). Obsolete with LIMS.
ANNRPTEX.PRG	Counts and stores WQ criteria exceedences in EXCEED94.DBF
COMPCOPY.PRG	Compiles .PRGs in DBMS and copies to runtime directory
CONVERT.PRG	Converts spreadsheet style dbf to "long-skinny" style (e.g., LRESULTS)
DATAHEK.PRG	Counts number of parameters in LRESULTS for each station
DATEANAL.PRG	Enters freshwater (FW) date of analysis (batch driven) (obsolete with LIMS)
DATEANAM.PRG	Enters marine date of analysis (batch driven) (obsolete with LIMS)
EVAL_STA.PRG	Sets up the template for station data entry (especially STORET fields)
EVAL_STA.FMT	Station data entry template
EXC_RPT.PRG	Reports water quality criteria exceedences in EXCEED94.DBF to EXCEED94.TXT
FW_BROWS.PRG	Browses active lab results fields only
GEOMN30.PRG	Calculates and reports fecal coliform geometric mean for every two samples to GEOMN30.TXT
LIST_VAL.PRG	Lists oxygen, temperature, fecals, and pH > x for a single station
LONGSKIN.PRG	Converts miscellaneous results in FRESULTS to SC format

MARENT.PRG	CTD to SC format convert/extract (obsolete with BASIC program.)
METRET.PRG	Obsolete. Retrieves metals data.
MISSMTLS.PRG	Lists standard metals results for stations with flag =.T. to file
STRULIST.PRG	Lists structures of all databases
TPTSS.PRG	List by station counts for TP and TSS > criteria to TPTSS.TXT
TURBMAX.PRG	List by station max turbidity and TSS to TURBMAX.TXT

## Reports

Report	Called by
ADMDE01F.FRO	ADMDE01.PRG. FW field results during data entry.
ADMDE01M.FRO	ADMDE01.PRG. Marine field results during data entry.
ADMDE01Q.FRO	ADMDE01.PRG. FW field QC results during data entry.
ADMDE1RF.FRO	ADMDE01.PRG. FW field remarks during data entry.
ADMDE1RM.FRO	ADMDE01.PRG. Marine field remarks during data entry.
ADMGMRP1.FRO	ADMGM01.PRG. Monthly report-geometric means.
ADMLRRA.FRO	ADMLRRA.PRG. Lab data update: Holding times
ADMLRRB.FRO	ADMLRRA.PRG. Lab data update: Std. dev.
ADMLRRC.FRO	ADMLRRA.PRG. Lab data update: 15% CV (batch)
ADMLRRD.FRO	ADMLRRA.PRG. Lab data update: 20% CV (field pairs)
ADMLRRE.FRO	ADMLRRA.PRG. Lab data update: Phos/Nitrogen balance.
ADMQC2AR.FRO	ADM_QC2.PRG. QC: Holding times.
ADMQC2BR.FRO	ADM_QC2.PRG. QC: Std. dev.
ADMQC2CR.FRO	ADM_QC2.PRG. QC: 15% CV (batch)
ADMQC2DR.FRO	ADM_QC2.PRG. QC: 20% CV (field pairs)
ADMQC2ER.FRO	ADM_QC2.PRG. QC: Phos/Nitrogen balance.
ADMQC3AR.FRO	ADM_QC3.PRG. Field duplicates.
ADMQC3BR.FRO	ADM_QC3.PRG. Field blanks.
ADMQC4RF.FRO	ADM_QC4.PRG. FW missing data.
ADMQC4RM.FRO	ADM_QC4.PRG. Marine missing data.
ADMWQRP1.FRO	ADM_WQ01.PRG. Monthly WQ criteria exceedence.
ADM_MRP1.FRO	ADM_MRR.PRG. Monthly std. dev. exceedence.
ADM_SRPA.FRO	ADM_SRPA.PRG. Station reports
ANN002FW.FRO	ANN002.PRG. FW quarterly summary statistics.
ANN002MW.FRO	ANN002.PRG. Marine quarterly summary statistics.
DPDESC_R.FRO	ADM_SRPB.PRG. Data dictionary.
EVALSTA2.FRO	ADM_SRQR.PRG. Station report during data retrieval.
LR02RPT.FRO	ADMLR03.PRG. Lab results error during import.
STALIST.FRO	ANN002.PRG. FW station list.
STALISTM.FRO	ANN002.PRG. Marine station list.

## Printer Control Files

These files contain printer control codes for the report forms of the same (or similar) name. File names followed by a “?” may not be used by the DBMS.

ADM_MRP1.PRF	ADMLRRD.PRF
ADM_QC1.PRF?	ADMLRRE.PRF
ADM_QC2.PRF?	ADMPR01.PRF?
ADM_QC3.PRF?	ADMQC2AR.PRF
ADM_RP1.PRF?	ADMQC2BR.PRF
ADM_SRP2.PRF?	ADMQC2CR.PRF
ADM_SRPA.PRF	ADMQC2DR.PRF
ADMDE01.PRF	ADMQC2ER.PRF
ADMFD01.PRF?	ADMQC3AR.PRF
ADMLR01.PRF?	ADMQC3BR.PRF
ADMLR02.PRF?	ADMQC4RF.PRF
ADMLR03.PRF?	ADMQC4RM.PRF
ADMLR04.PRF?	ADMSD01D.PRF?
ADMLR05.PRF?	ANN002FW.PRF
ADMLRRA.PRF	ANN002MW.PRF
ADMLRRB.PRF	DPDESC.PRF
ADMLRRC.PRF	

# Database Descriptions

Data as of 4/18/95.

Database	Records	Last Update	Size	Contents
CNTYCODE.DBF	40	90/11/16	818	Lookup for counties
CV_EXC.DBF	0	95/04/17	290	Temp: lab QC checks (CVs)
DPDESC.DBF	45	95/04/17	10945	Data dictionary
DPF_C.DBF	7097	95/04/17	1955068	Current (6-yrs) FW results
DPF_DE.DBF	0	95/04/17	610	Temp: FW data entry
DPF_H.DBF	28836	94/03/18	7529590	Historical FW results
DPM_C.DBF	6598	95/04/18	1831263	Current (6-yrs) marine results
DPM_DE.DBF	0	95/04/18	642	Temp: marine data entry
DPM_H.DBF	10295	94/09/26	2855333	Historical marine results
DPREM.DBF	10108	95/04/18	1001045	Field remarks
DQA_C.DBF	909	95/04/17	186448	Current (6-yrs) QC results
DQA_DE.DBF	0	95/04/17	514	Temp: FW QC data entry
DQCODE.DBF	5254	95/04/17	210577	Lab numbers and exceedences
DQDEF.DBF	2945	94/03/22	383460	Quarterly statistics
DQTMP.DBF	2634	94/03/18	479997	Temp: Quarterly Stats. Calcs.
DSTADESC.DBF	624	95/04/12	150066	Station descriptors
EVAL_STA.DBF	632	95/02/23	620642	Additional station descriptors
EXCEED.DBF	79	94/01/18	3957	Peripheral db: WQ Exc counts
FLOW.DBF	0	95/04/10	162	Temp: Flow data entry
FLXTMP.DBF	0	95/08/17	98	Temp: Flux calculation
FRESULTS.DBF	404	95/03/30	26678	Miscellaneous FW lab results
GQ_DEF.DBF	149	95/03/16	2843	FC monthly report
GQ_TMP.DBF	0	95/03/16	130	Temp: FC monthly report
LABTEMP.DBF	543	95/03/23	103844	Temp: lab import intermediate
LQCRESUL.DBF	685	95/04/17	44943	Lab QC results.
LRESULTS.DBF	0	95/04/17	418	Temp: Lab results import file
LRESUTMP.DBF	91	95/03/23	6242	Temp: lab import intermediate
MO_RPT.DBF	1	95/04/17	87	Temp: month being processed
MONTHS.DBF	12	93/03/22	298	Lookup: month
MRESULTS.DBF	2721	95/03/23	152762	Misc marine lab results
PCSTOREF.DBF	1	95/02/13	146	Header for FW STORET retrieval
PCSTOREM.DBF	1	95/02/14	146	Header for Marine retrieval
PH_EXC.DBF	0	95/04/17	514	Temp: QC code check tp/srp
QA.DBF	0	95/04/17	354	Temp: field QC report
QC.DBF	0	95/04/17	386	Temp: QC code reports and edits
QCSTA.DBF	96	94/10/03	5377	Temp: QC station assignment
RG_RPT.DBF	4	89/10/28	170	Lookup: ecology region
SD_EXC.DBF	0	95/04/17	482	Temp: compare to hist. data
_____DBF	Hidden File.			Security Codes.
SF_DE.DBF	0	95/04/17	66	Temp: Field data entry
SP_FC.DBF	0	95/04/14	3394	Temp: data retrieval
SP_FH.DBF	0	95/04/14	3394	Temp: data retrieval
SP_MC.DBF	0	95/04/17	3618	Temp: data retrieval
SP_MH.DBF	0	95/04/17	3618	Temp: data retrieval
_____DBF	Hidden File.			Logs users and activity
WATER.DBF	0	95/03/20	546	Temp: FC data for monthly rpt

# Database Structures

Date of listing: 95/04/17

Data Table: CNTYCODE.DBF  
Index File: CNTYCODE.MDX  
Index TAG: CO Key: CO  
Index TAG: COUNTY Key: COUNTY

Structure for database: P:\AMBIENT\DBMSDATA\CNTYCODE.DBF

Number of data records: 40

Date of last update: 90/11/16

Field	Field Name	Type	Width	Description
1	CO	Character	2	Two digit county code
2	COUNTY	Character	15	County
** Total **			18	

Data Table: CV\_EXC.DBF  
Index File: CV\_EXC.MDX  
Index TAG: STANO Key: STANO

Structure for database: P:\AMBIENT\DBMSDATA\CV\_EXC.DBF  
Number of data records: 0  
Date of last update: 95/04/17

Field	Field Name	Type	Width	Dec	Description
1	QA_NO	Character	6		QC number ( <i>i.e.</i> , QASW-1)
2	STANO	Character	6		Station number
3	LABNO	Character	6		Lab number (assigned by MEL)
4	PCODE	Character	6		Storet parameter code
5	DATE	Date	8		Date of sample collection
6	DATE_ANL	Date	8		Date of analysis
7	LRESULT	Numeric	8	2	Sample result
8	QRESULT	Numeric	8	2	QC result (field split or sequential)
** Total **			57		

Data Table: DPDESC.DBF  
 Index File: DPDESC.MDX  
 Index TAG: DP\_PC Key: PCODE (Unique)  
 Index TAG: DP\_PCDT Key: PCODE+DTOC(MBDTE) (Descending) (Unique)  
 Index TAG: PCODE Key: PCODE

Structure for database: P:\AMBIENT\DBMSDATA\DPDESC.DBF

Number of data records: 45

Date of last update: 95/04/14

Field	Field Name	Type	Width	Dec	Description
1	DBFIELD	Character	10		Data table field name for parameter
2	PCODE	Character	7		Storet parameter code
3	SD	Logical	1		Use for Std. Dev. calculations?
4	PCR	Character	8		Data table field name for remark
5	PCQ	Character	8		Data table field name for quality code
6	HOLD	Numeric	3		Holding time (days)
7	LOWVAL	Numeric	10	2	Lowest reasonable value
8	HIGHVAL	Numeric	10	2	Highest reasonable value
9	SPIKE	Numeric	7	3	Spike concentration (mg/L)
10	REFER	Numeric	7	3	Reference concentration (mg/L)
11	PSWQA	Character	10		PSWQA parameter name
12	FW	Logical	1		Freshwater parameter?
13	MA	Logical	1		Marine parameter?
14	QA	Logical	1		QC performed on the parameter?
15	MBDTE	Date		8	Method start date
16	MEDTE	Date		8	Method end data
17	UNITS	Character	7		Units
18	DETECID	Numeric	6	3	Detection limit
19	NAME	Character	20		Parameter name
20	SHRT_NME1	Character	7		Short name (1st half)
21	SHRT_NME2	Character	7		Short name (2nd half)
22	DESC	Character	60		Parameter description
23	CONV	Logical	1		Treat as conventional parameter?
24	METAL	Logical	1		Treat as a metal?
25	NUTR	Logical	1		Treat as a nutrient?
26	NON_NUTR	Logical	1		Treat as a non-nutrient?
27	HIST	Logical	1		Not currently sampled?
28	CF	Logical	1		Freshwater PCSTORET retrieval?
29	PCM	Logical	1		Marine PCSTORET retrieval?
30	MD	Logical	1		Temporary: used to mark for retrieval
31	SPEC	Logical	1		Temporary: used to mark for retrieval
32	MFW	Logical	1		Marine parameter?
33	MMA	Logical	1		Freshwater parameter?
** Total**				219	



Data Table: DPF\_C.DBF  
 Index File: DPF\_C.MDX  
 Index TAG: STANO Key: STANO  
 Index TAG: DATE Key: DATE  
 Index TAG: DF\_STDT Key: STANO+DTCO(DATE)  
 Index TAG: TEMP Key: ltrim(str(year(date)))+stano (Unique)

Structure for database: P:\AMBIENT\DBMSDATA\DPF\_C.DBF  
 Number of data records: 7079  
 Date of last update: 95/04/17

Field	Field Name	Type	Width	Dec	Description
1	STANO	Character	6		Station number
2	DATE	Date		8	Date of sample collection
3	TIME	Character	4		Time of sample collection
4	TEMP	Numeric	4	1	Temperature (C)
5	P10R	Character	1		Remark code (P10 is STORET no.)
6	P10Q	Numeric	1		Quality code
7	PRESS	Numeric	5	1	Barometric pressure (mmHg)
8	P25R	Character	1		
9	P25Q	Numeric	1		
10	FLOW	Numeric	8	1	Discharge (cfs)
11	P60R	Character	1		
12	P60Q	Numeric	1		
13	COLOR	Numeric	4		Color (mg/L)
14	P80R	Character	1		
15	P80Q	Numeric	1		
16	COND	Numeric	4		Electrical conductivity ( $\mu$ mhos/cm)
17	P95R	Character	1		
18	P95Q	Numeric	1		
19	OXYGEN	Numeric	4	1	Dissolved oxygen (mg/L)
20	P300R	Character	1		
21	P300Q	Numeric	1		
22	PCTSAT	Numeric	5	1	Percent oxygen saturation (%)
23	P301R	Character	1		
24	P301Q	Numeric	1		
25	COD	Numeric	3		Chemical oxygen demand (mg/L)
26	P340R	Character	1		
27	P340Q	Numeric	1		
28	pH	Numeric	4	1	pH (std units)
29	P400R	Character	1		
30	P400Q	Numeric	1		
31	SUSSOL	Numeric	7	1	Total suspended solids (mg/L)

Field	Field Name	Type	Width	Dec	Description
32	P530R	Character	1		
33	P530Q	Numeric	1		
34	TPN	Numeric	6	3	Total persulfate nitrogen (mg/L)
35	P600R	Character	2		
36	P600Q	Numeric	1		
37	NH <sub>3</sub> _N	Numeric	6	3	Ammonia-nitrogen (mg/L)
38	P610R	Character	2		
39	P610Q	Numeric	1		
40	NO <sub>2</sub> _N	Numeric	6	3	Nitrite-nitrogen (mg/L)
41	P615R	Character	1		
42	P615Q	Numeric	1		
43	NO <sub>3</sub> _N	Numeric	6	3	Nitrate-nitrogen (mg/L)
44	P620R	Character	1		
45	P620Q	Numeric	1		
46	TKN	Numeric	5	2	Kjeldahl nitrogen (mg/L)
47	P625R	Character	1		
48	P625Q	Numeric	1		
49	TP_P	Numeric	6	3	Total phosphorus (mg/L)
50	P665R	Character	2		
51	P665Q	Numeric	1		
52	OP_DIS	Numeric	6	3	Soluble reactive phosphorus (mg/L)
53	P671R	Character	2		
54	P671Q	Numeric	1		
55	TOC	Numeric	4	1	Total organic carbon (mg/)
56	P680R	Character	1		
57	P680Q	Numeric	1		
58	HARD	Numeric	3		Hardness (mg/L)
59	P900R	Character	1		
60	P900Q	Numeric	1		
61	TURB	Numeric	6	1	Turbidity (NTU)
62	P82079R	Character	1		
63	P82079Q	Numeric	1		
64	FC	Numeric	6		Fecal coliform bacteria (no./100 mL)
65	P31616R	Character	2		
66	P31616Q	Numeric	1		
67	CHL	Numeric	5	2	Chlorophyll (µg/L)
68	P32211R	Character	1		
69	P32211Q	Numeric	1		
70	PHEO	Numeric	5	2	Pheopigments (µg/L)
71	P32218R	Character	1		
72	P32218Q	Numeric	1		
73	OP_TOT	Numeric	6	3	Total sol. reactive phos. (mg/L)
74	P70507R	Character	1		

Field	Field Name	Type	Width	Dec	Description
75	P70507Q	Numeric	1		
76	NH <sub>3</sub> _UN	Numeric	6	3	Ammonia nitrogen (mg/L)
77	P619R	Character	1		
78	P619Q	Numeric	1		
79	ALK	Numeric	5	1	Alkalinity (mg/L)
80	P410R	Character	1		
81	P410Q	Numeric	1		
82	NO <sub>2</sub> _NO <sub>3</sub>	Numeric	6	3	Nitrate+nitrite nitrogen (mg/L)
83	P630R	Character	2		
84	P630Q	Numeric	1		
85	NO <sub>2</sub> _DIS	Numeric	6	3	Dissolved nitrite (mg/L)
86	P613R	Character	1		
87	P613Q	Numeric	1		
88	CR	Numeric	5	2	Chromium (µg/L)
89	P1118R	Character	1		
90	P1118Q	Numeric	1		
91	CU	Numeric	6	1	Copper (µg/L)
92	P1042R	Character	1		
93	1042Q	Numeric	1		
94	PB	Numeric	6	1	Lead (µg/L)
95	P1114R	Character	1		
96	P1114Q	Numeric	1		
97	ZN	Numeric	7	1	Zinc (µg/L)
98	P1092R	Character	1		
99	P1092Q	Numeric	1		
100	CD	Numeric	5	2	Cadmium (µg/L)
101	P1113R	Character	1		
102	P1113Q	Numeric	1		
103	HG	Numeric	6	4	Mercury (µg/L)
104	P71901R	Character	1		
105	P71901Q	Numeric	1		
** Total **			275		

Data Table: DPF\_DE.DBF  
 Index File: DPF\_DE.MDX  
 Index TAG: RDO Key: RUN+DAY+ORDER

Structure for database: P:\AMBIENT\DBMSDATA\DPF\_DE.DBF  
 Number of data records: 0  
 Date of last update: 95/04/10

Field	Field Name	Type	Width	Dec	Description
1	RUN	Character	2		Sample region (NW, SW, C, E)
2	DAY	Character	1		Day sampled (1-4)
3	ORDER	Character	2		Sequential order sampled
4	STANO	Character	6		Station number
5	STANAME	Character	35		Station name
6	DATE	Date	8		Date sampled
7	TIME	Character	4		Time sampled
8	TEMP	Numeric	4	1	Temperature (°C)
9	OXYGEN	Numeric	4	1	Dissolved oxygen (mg/L)
10	pH	Numeric	4	1	pH (std. units)
11	COND	Numeric	4		Electrical conductivity (µmhos/cm)
12	PRESS	Numeric	5	2	Barometric pressure (mmHg)
13	FOXY	Numeric	4	1	Oxygen correction factor (10 ± 0.5)
14	INITIALS	Character	2		Samplers initials
15	VANID	Character	2		Van ID (last two license digits)
16	OXYCFACT	Numeric	5	2	Oxygen correction factor (10 ± 0.5)
17	QADONE	Logical	1		Was a QC sample collected?
18	REMARKS	Character	60		Field remarks
** Total **			154		

Data Table: DPF\_H.DBF  
 Index File: DPF\_H.MDX  
 Index TAG: STANO Key: STANO  
 Index TAG: DATE Key: DATE  
 Index TAG: DF\_STDT Key: STANO+DTCO(DATE)  
 Index TAG: TEMP Key: DTCO(DATE)+STANO

Structure for database: P:\AMBIENT\DBMSDATA\DPF\_H.DBF

Number of data records: 28836

Date of last update: 94/03/18

Fields are the same as for DPF\_C except the widths and decimals for the fields shown below:

Field	Field Name	Type	Width	Dec
37	NH <sub>3</sub> _N	Numeric	5	2
40	NO <sub>2</sub> _N	Numeric	5	2
43	NO <sub>3</sub> _N	Numeric	5	2
65	P31616R	Character	2	
82	NO <sub>2</sub> _NO <sub>3</sub>	Numeric	5	2
85	NO <sub>2</sub> _DIS	Numeric	5	2
97	ZN	Numeric	5	
103	HG	Numeric	5	3
** Total **			261	

Data Table: DPM\_C.DBF  
 Index File: DPM\_C.MDX  
 Index TAG: STANO Key: STANO  
 Index TAG: DM\_STDTDH Key: STANO+DTC(DATE)+DEPTH  
 Index TAG: DATE Key: DATE

Structure for database: P:\AMBIENT\DBMSDATA\DPM\_C.DBF

Number of data records: 6482

Date of last update: 95/04/12

Fields are the same as for DPF\_C except for the additional fields shown below:

Field	Field Name	Type	Width	Dec	Description
32	NH <sub>3</sub> _DIS	Numeric	6	3	Dissolved ammonia (mg/L)
33	P608R	Character	1		
34	P608Q	Numeric	1		
59	SECCHI	Numeric	5	2	Secchi disk depth (m)
60	P78R	Character	1		
61	P78Q	Numeric	1		
62	SALIN1	Numeric	5	2	Salinity (mg/L)
63	P480R	Character	1		
64	P480Q	Numeric	1		
110	TRANSMIS	Numeric	4	1	Light transmissivity (%)
111	P74R	Character	1		
112	P74Q	Numeric	1		
** Total **			277		

Data Table: DPM\_DE.DBF  
 Index File: DPM\_DE.MDX  
 Index TAG: RDO Key: RUN+DAY+ORDER

Structure for database: P:\AMBIENT\DBMSDATA\DPM\_DE.DBF  
 Number of data records: 0  
 Date of last update: 95/03/24

Field	Field Name	Type	Width	Dec	Description
1	RUN	Character	2		Marine flight number (1-4)
2	DAY	Character	1		(NA for marine stations)
3	ORDER	Character	2		Sequential order sampled
4	STANO	Character	6		Station number
5	STANAME	Character	35		Station name
6	DATE	Date	8		Date sampled
7	TIME	Character	4		Time sampled
8	DEPTH	Character	4		Depth of discrete sample
9	TEMP	Numeric	4	1	Temperature (C)
10	OXYGEN	Numeric	4	1	Oxygen (mg/L)
11	pH	Numeric	4	1	pH (std. units)
12	SECCHI	Numeric	5	2	Secchi disk depth (m)
13	SALIN1	Numeric	5	2	Salinity (mg/L)
14	TRANSMIS	Numeric	4	1	Transmissivity (%)
15	INITIALS	Character	2		Samplers initial
16	VANID	Character	2		(NA for marine stations)
17	OXYCFACT	Numeric	5	2	Oxygen correction factor ( $10 \pm 0.5$ )
18	QADONE	Logical	1		Was a QC sample collected?
19	REMARKS	Character	60		Field remarks
** Total **			159		

Data Table: DPM\_H.DBF  
 Index File: DPM\_H.MDX  
 Index TAG: STANO Key: STANO  
 Index TAG: DATE Key: DATE  
 Index TAG: DM\_STDTDH Key: STANO+DTCOC(DATE)+DEPTH

Structure for database: P:\AMBIENT\DBMSDATA\DPM\_H.DBF  
 Number of data records: 10295  
 Date of last update: 94/09/26

Field	Field Name	Type	Width	Dec	Description
Fields are the same as for DPM_C.					
** Total **			277		



Data Table: DPREM.DBF  
 Index File: DPREM.MDX  
 Index TAG: STANO Key: STANO  
 Index TAG: DR\_STDT Key: STANO+DTCO(DATE)  
 Index TAG: DR\_STDTDH Key: STANO+DTCO(DATE)+DEPTH  
 Index TAG: DATE Key: DATE

Structure for database: P:\AMBIENT\DBMSDATA\DPREM.DBF  
 Number of data records: 9974  
 Date of last update: 95/04/17

Field	Field Name	Type	Width	Dec	Description
1	STANO	Character	6		Station number
2	DATE	Date	8		Date sampled
3	TIME	Character	4		Time sampled
4	DEPTH	Character	4		Depth of sample (marine only)
5	LABNO	Character	6		Lab number (assigned by MEL)
6	INITIALS	Character	2		Samplers initials
7	VANID	Character	2		Van ID (last two digits of license)
8	OXYCFACT	Numeric	5	2	Oxygen correction factor (10 ± 0.5)
9	TAPEDWN	Character	5	2	Measured tapedown/gage/staff
10	QADONE	Logical	1		Was QC sample collected?
11	REMARKS	Character	60		Field remarks
** Total **			99		

Data Table: DQA\_C.DBF  
 Index File: DQA\_C.MDX  
 Index TAG: QA\_QADT Key: QA\_NO+DTOC(DATE)  
 Index TAG: QA\_QASTDT Key: QA\_NO+STANO+DTOC(DATE)  
 Index TAG: STANO Key: STANO  
 Index TAG: DATE Key: DATE  
 Index TAG: QA\_NO Key: QA\_NO

Structure for database: P:\AMBIENT\DBMSDATA\DQA\_C.DBF

Number of data records: 907

Date of last update: 95/04/06

Field	Field Name	Type	Width	Dec	Description
1	QA_NO	Character	6		QC sample number (e.g., QCNW-1)
2	STANO	Character	6		Station number
3	DATE	Date	8		Date sampled
4	TYPE	Character	1		Type of QC sample (C=split, D=sequential; B=blank)
5	SPIKE	Numeric	5	3	Spike concentration (mg/L)
6	TIME	Character	4		Time sampled

Remaining fields contain field and lab results. See DPF\_C.

---

\*\* Total \*\* 203

---

Data Table: DQA\_DE.DBF  
 Index File: DQA\_DE.MDX  
 Index TAG: RDO Key: RUN+DAY+ORDER

Structure for database: P:\AMBIENT\DBMSDATA\DQA\_DE.DBF  
 Number of data records: 0  
 Date of last update: 95/04/10

Field	Field Name	Type	Width	Dec	Description
1	RUN	Character	2		See DPF_DE for an explanation of fields
2	DAY	Character	1		
3	ORDER	Character	2		
4	TYPE	Character	1		
5	QA_NO	Character	6		
6	STANO	Character	6		
7	STANAME	Character	35		
8	DATE	Date	8		
9	TIME	Character	4		
10	TEMP	Numeric	4	1	
11	OXYGEN	Numeric	4	1	
12	pH	Numeric	4	1	
13	COND	Numeric	4		
14	PRESS	Numeric	5	2	
15	FOXY	Numeric	4	1	
** Total **			91		

Data Table: DQCODE.DBF  
 Index File: DQCODE.MDX  
 Index TAG: DATE Key: DATE  
 Index TAG: DQ\_KEY Key: STANO+DTOC(DATE)+DEPTH+PCODE

Structure for database: P:\AMBIENT\DBMSDATA\DQCODE.DBF

Number of data records: 5254

Date of last update: 95/04/17

Field	Field Name	Type	Width	Dec	Description
1	STANO	Character	6		Station number
2	DATE	Date	8		Date sampled
3	DEPTH	Character	4		Depth sampled (marine only)
4	PCODE	Character	6		Storet parameter code
5	LABNO	Character	6		Lab number (assigned by MEL)
6	QCODE1	Logical	1		Results of quality check 1 (0 - 9)
7	QCODE2	Logical	1		Results of quality check 2 (0 - 9)
8	QCODE3	Logical	1		Results of quality check 3 (0 - 9)
9	QCODE4	Logical	1		Results of quality check 4 (0 - 9)
10	QCODE5	Logical	1		Results of quality check 5 (0 - 9)
11	QCODE6	Logical	1		Not currently used
12	HOLD	Numeric	3		Holding time (if exceeds allowable)
** Total **			40		

Data Table: DQDEF.DBF  
 Index File: DQDEF.MDX  
 Index TAG: DQ\_STPCDH Key: STANO+PCODE+DEPTH

Structure for database: P:\AMBIENT\DBMSDATA\DQDEF.DBF  
 Number of data records: 2945  
 Date of last update: 94/03/22

Field	Field Name	Type	Width	Dec	Description
1	STANO	Character	6		Station number
2	PCODE	Character	6		Storet parameter code
3	DEPTH	Character	4		Depth (marine only)
4	Q1DP	Numeric	3		No. of Jan-Mar samples in current db
5	Q1MEAN	Numeric	10	3	Mean of Jan-Mar results
6	Q1SD	Numeric	10	3	Std. dev. of Jan-Mar results
7	Q2DP	Numeric	3		No. of Apr-Jun samples in current db
8	Q2MEAN	Numeric	10	3	Mean of Apr-Jun results
9	Q2SD	Numeric	10	3	Std. dev. of Apr-Jun results
10	Q3DP	Numeric	3		No. of Jul-Sep samples in current db
11	Q3MEAN	Numeric	10	3	Mean of Jul-Sep results
12	Q3SD	Numeric	10	3	Std. dev. of Jul-Sep results
13	Q4DP	Numeric	3		No. of Oct-Dec samples in current db
14	Q4MEAN	Numeric	10	3	Mean of Oct-Dec results
15	Q4SD	Numeric	10	3	Std. dev. of Oct-Dec results
16	MAX	Numeric	10	3	Maximum result in current data table
17	MIN	Numeric	10	3	Minimum result in current data table
18	P_R	Character	1		Remark code for minimum result
** Total **			130		

Data Table: DQTMP.DBF  
 Index File: DQTMP.MDX  
 Index TAG: DT\_STPCDH Key: STANO+PCODE+DEPTH

Structure for database: P:\AMBIENT\DBMSDATA\DQTMP.DBF  
 Number of data records: 2634  
 Date of last update: 94/03/18

Field	Field Name	Type	Width	Dec	Description
1	STANO	Character	6		Station number
2	PCODE	Character	6		Storet parameter code
3	DEPTH	Character	4		Depth (marine only)
4	Q1DP	Numeric	3		No. of Jan-Mar samples in current db
5	Q1MEAN	Numeric	12	3	Mean of Jan-Mar results
6	Q1SUMQ	Numeric	20	6	Sum Jan-Mar results
7	Q2DP	Numeric	3		No. of Apr-Jun samples in current db
8	Q2MEAN	Numeric	12	3	Mean of Apr-Jun results
9	Q2SUMQ	Numeric	20	6	Sum of Apr-Jun results
10	Q3DP	Numeric	3		No. of Jul-Sep samples in current db
11	Q3MEAN	Numeric	12	3	Mean of Jul-Sep results
12	Q3SUMQ	Numeric	20	6	Sum of Jul-Sep results
13	Q4DP	Numeric	3		No. of Oct-Dec samples in current db
14	Q4MEAN	Numeric	12	3	Mean of Oct-Dec results
15	Q4SUMQ	Numeric	20	6	Sum of Oct-Dec results
16	MAX	Numeric	12	3	Maximum result in current data table
17	MIN	Numeric	12	3	Minimum result in current data table
18	P_R	Character	1		Remark code for minimum result
** Total **			182		

Data Table: DSTADESC.DBF  
 Index File: DSTADESC.MDX  
 Index TAG: TEMP Key: cpanno  
 Index TAG: STANO Key: STANO  
 Index TAG: DS\_RDO Key: RUN + DAY + ORDER

Structure for database: P:\AMBIENT\DBMSDATA\DSTADESC.DBF  
 Number of data records: 624  
 Date of last update: 95/04/12

Field	Field Name	Type	Width	Dec	Description
1	STANO	Character	6		Station number
2	STANAME	Character	35		Station name
3	TYPE	Character	1		F=freshwater, M=marine, Q=QC
4	WBID	Character	10		Waterbody segment containing sta.
5	WBID2	Character	40		Other waterbodies assessed by station
6	WBSIZE	Numeric	7	1	Length of waterbody (miles)
7	CPANNO	Character	9		CPAN number
8	USGSNO	Character	8		USGS number
9	STATYPE	Character	1		C=current, H=historical
10	DECOREGN	Character	1		Ecology region (N,S,C,E)
11	FLOWREGN	Character	1		USGS region (1=Pasco, 2=Spokane, 3=Tacoma, 4=Vancouver, 5=on-line, 6=in-house, 7=misc source, 9=not avail)
12	ECORGN	Character	1		Ecoregion (1-4 and 6-9)
13	LAT	Character	10		Latitude (## ## ##.#)
14	LONG	Character	11		Longitude (### ## ##.#)
15	ELEV	Numeric	4		Elevation above sea level (ft)
16	WATERSHE	Numeric	6		Watershed area (sq. miles)
17	RIVREACH	Numeric	16	2	EPA river reach number
18	RMI	Numeric	7	2	River mile (miles from mouth)
19	COUNTY	Character	2		County code
20	STRMCLAS	Character	2		Stream class (AA, A, B, C, L)
21	YRS_RECO	Numeric	2		Years sampled (out of date)
22	REMARKS	Character	50		Remarks
23	RUN	Character	2		Area sampled (NW,SW,NE,E or 1-4)
24	DAY	Character	1		Day sampled (1-4)
25	ORDER	Character	2		Sequential order sampled
26	DEPTH0	Logical	1		Sampled at surface?
27	DEPTH10	Logical	1		Sampled at 10 M?
28	DEPTH30	Logical	1		Sampled at 30 M?
* Total **			239		

Data Table: EVAL\_STA.DBF  
 Index File: EVAL\_STA.MDX  
 Index TAG: STANO Key: STANO  
 Index TAG: CO Key: co  
 Index TAG: DPTEMP Key: STANO  
 Index TAG: CORE Key: core+stano  
 Index TAG: DECOREGN Key: decoregn+stano

Structure for database: P:\AMBIENT\DBMSDATA\EVAL\_STA.DBF

Number of data records: 632

Date of last update: 95/02/23

Field	Field Name	Type	Width	Dec	Description
1	CORE	Character	1		Type of station (C=core, F=floating)
2	STANO	Character	6		Station number
3	STANAME	Character	35		Station name
4	DECOREGN	Character	2		Ecology region (NW,SW,NE,E)
5	RUN	Character	2		Area sampled (NW,SW,NE,E or 1-4)
6	STRUCT	Character	15		Substrate type (mud, cobble, etc.)
7	FLOW	Character	10		Typical flow (stagnant, etc.)
8	MIX	Character	10		Well mixed?
9	GAGING	Character	10		Gage type (tape, gage house, etc.)
10	ACCESS	Character	10		How good is access to sample site
11	BETTER	Character	10		Is there a better sample location
12	SURROUND	Character	20		Nearby land uses
13	WQL	Logical	1		Water quality limited (305(b))
14	PRIORITY	Character	7		High/med/low data need
15	BRIDGE	Logical	1		Bridge sample?
16	BANK	Logical	1		Bank sample?
17	OTHER	Character	12		Other sample types (e.g., culvert)
18	LOGIC	Character	60		Why are we sampling here?
19	COMMENT	Character	75		General comments
20	DATA	Character	75		Not used
21	YEARS	Character	41		Years sampled (Location of "X" indicates year. Position 37 indicates WY95.)
22	ELEV	Numeric	4		Elevation above sea level (ft)
23	RMI	Numeric	7	2	River mile above mouth (miles)
24	RMI CARD	Character	44		STORET RMI #
25	LAT	Character	10		Latitude (## ## ##.#)
26	LONG	Character	11		Longitude (### ## ##.#)
27	QUAD	Character	20		USGS quad map title
28	COUNTY	Character	15		County name
29	CO	Character	2		County code



Field	Field Name	Type	Width	Dec	Description
30	WRIA	Character	2		Water Resource Inventory Area
31	CLASS	Character	2		Stream class
32	USGS	Character	8		USGS number
33	EPA	Character	6		EPA number
34	PAN	Character	9		CPAN
35	DP1	Character	80		Narrative location
36	DP2	Character	80		Narrative location
37	DP3	Character	80		Narrative location
38	DP4	Character	80		Narrative location
39	DP5	Character	80		Narrative location
40	DP6	Character	80		Narrative location
41	FLAG	Logical	1		Temporary flag for retrieval use
** Total **			980		

Data Table: EXCEED.DBF  
 Index File: EXCEED.MDX  
 Index TAG: STANO Key: STANO

Structure for database: P:\AMBIENT\DBMSDATA\EXCEED.DBF  
 Number of data records: 79  
 Date of last update: 94/01/18

Field	Field Name	Type	Width	Dec	Description
1	REGION	Character	1		Ecology region
2	STANO	Character	6		Station number
3	CLASS	Character	2		Stream class
4	M_TP	Numeric	3		Number of temperature samples
5	M_TE	Numeric	3		Number exceeding criteria
6	M_OP	Numeric	3		Number of oxygen samples
7	M_OE	Numeric	3		Number exceeding criteria
8	M_PP	Numeric	3		Number of pH samples
9	M_PE	Numeric	3		Number exceeding criteria
10	M_DP	Numeric	3		Number of fecal coliform samples
11	M_DE	Numeric	3		Number exceeding "10%" criteria
12	M_FP	Numeric	3		Number of fecal coliform samples
13	M_FE	Numeric	3		Number exceeding criteria
14	G_RSLT	Numeric	4		Geometric mean
** Total **			44		

Data Table: FLOW.DBF  
Index File: FLOW.MDX  
Index TAG: FL\_STDT Key: STANO+DTCO(DATE)

Structure for database: P:\AMBIENT\DBMSDATA\FLOW.DBF

Number of data records: 0

Date of last update: 95/04/10

Field	Field Name	Type	Width	Dec	Description
1	STANO	Character	6		Station number
2	DATE	Date	8		Date of sample
3	FLOW	Numeric	8	1	Discharge (cfs)
4	REM	Character	1		Remark code (e.g., "J")
** Total **			24		

Data Table: FLUXTMP.DBF  
Index File: None  
Index TAG: None

Structure for database: P:\AMBIENT\DBMSDATA\FLUX.DBF  
Number of data records: 0  
Date of last update: 95/18/17

Field	Field Name	Type	Width	Dec	Description
1	DATE	Date	8		Date of sample
2	FLUX	Numeric	9	3	Flux (kg/day)
** Total **			18		

Data Table: FRESULTS.DBF  
Index File: None

Structure for database: P:\AMBIENT\DBMSDATA\FRESULTS.DBF  
Number of data records: 404  
Date of last update: 95/03/30

Field	Field Name	Type	Width	Dec	Description
1	LABNO	Character	6		Lab number (MEL assigned)
2	STANO	Character	6		Station number
3	DATE_C	Date	8		Date sampled
4	TIME	Character	4		Time sampled
5	PCODE	Character	7		Storet parameter code
6	DEPTH	Character	4		Depth of sample (marine only)
7	RESULT	Numeric	11	4	Result
8	REMARK	Character	2		Remark code (e.g., "J")
9	DATE_ANL	Date	8		Date sample was analyzed
10	RFLG	Character	1		Error flag (see documentation)
11	TYPE	Character	1		F=freshwater, M=marine, Q=quality control
12	QCID	Character	6		Type of lab QC (e.g., REP1= lab split)
** Total **			65		

Data Table: GQ\_DEF.DBF  
Index File: GQ\_DEF.MDX  
Index TAG: GQ\_STDH Key: STANO+DEPTH

Structure for database: P:\AMBIENT\DBMSDATA\GQ\_DEF.DBF  
Number of data records: 149  
Date of last update: 95/03/16

Field	Field Name	Type	Width	Dec	Description
1	STANO	Character	6		Station number
2	DEPTH	Character	4		Depth sampled (marine only)
3	DP	Numeric	2		Number of results
4	MEAN	Numeric	5		Geometric mean
** Total **			18		

Data Table: GQ\_TMP.DBF  
Index File: GQ\_TMP.MDX  
Index TAG: GT\_STDH Key: STANO+DEPTH

Structure for database: P:\AMBIENT\DBMSDATA\GQ\_TMP.DBF

Number of data records: 0

Date of last update: 95/03/16

Field	Field Name	Type	Width	Dec	Description
1	STANO	Character	6		Station number
2	DEPTH	Character	4		Depth sampled (marine only)
3	MEAN	Numeric	5		Geometric mean
** Total **			16		

Data Table: LABTEMP.DBF  
Index File: None

Structure for database: P:\AMBIENT\DBMSDATA\LABTEMP.DBF  
Number of data records: 543  
Date of last update: 95/03/23

Field	Field Name	Type	Width	Dec	Description
1	F1	Character	2		All fields are designed to hold comma-delimited "SC card" format import file data. F1 holds "SC," F2 holds the station number, F3 the date/time group, and the rest hold parameter codes and results.
2	F2	Character	7		
3	F3	Character	10		
4	F4	Character	10		
5	F5	Character	10		
6	F6	Character	10		
7	F7	Character	10		
8	F8	Character	10		
9	F9	Character	10		
10	F10	Character	10		
11	F11	Character	10		
12	F12	Character	10		
13	F13	Character	10		
14	F14	Character	10		
15	F15	Character	10		
16	F16	Character	10		
17	F17	Character	10		
18	F18	Character	10		
19	F19	Character	10		
20	F20	Character	10		
* Total **			190		



Data Table: LQCRESUL.DBF  
Index File: None

Structure for database: P:\AMBIENT\DBMSDATA\LQCRESUL.DBF  
Number of data records: 685  
Date of last update: 95/04/17

Field	Field Name	Type	Width	Dec	Description
1	LABNO	Character	6		Field descriptions are the same as under FRESULTS. This database hold lab QC results such as blanks, splits, and spikes.
2	QCID	Character	6		
3	STANO	Character	6		
4	DATE_C	Date	8		
5	TIME	Character	4		
6	PCODE	Character	7		
7	DEPTH	Character	4		
8	RESULT	Numeric	11	4	
9	REMARK	Character	2		
10	DATE_ANL	Date	8		
11	RFLG	Character	1		
12	TYPE	Character	1		
** Total **			65		

Data Table: LRESULTS.DBF  
 Index File: LRESULTS.MDX  
 Index TAG: LR\_PCDT Key: PCODE+DTCO(DATE\_ANL)  
 Index TAG: DATE\_C Key: DATE\_C  
 Index TAG: PCODE Key: PCODE (Unique)  
 Index TAG: TEMP Key: stano+pcode  
 Index TAG: STANO Key: STANO

Structure for database: P:\AMBIENT\DBMSDATA\LRESULTS.DBF

Number of data records: 0

Date of last update: 95/04/17

Field	Field Name	Type	Width	Dec	Description
1	LABNO	Character	6		Field descriptions are the same as under FRESULTS
2	STANO	Character	6		
3	DATE_C	Date	8		
4	TIME	Character	4		
5	PCODE	Character	7		
6	DEPTH	Character	4		
7	RESULT	Numeric	11	4	
8	REMARK	Character	2		
9	DATE_ANL	Date	8		
10	RFLG	Character	1		
11	TYPE	Character	1		
12	QCID	Character	6		
** Total **			65		

Data Table: LRESULTMP.DBF  
Index File: None

Structure for database: P:\AMBIENT\DBMSDATA\LRESULTMP.DBF  
Number of data records: 91  
Date of last update: 95/03/23

Field	Field Name	Type	Width	Dec	Description
1	LABNO	Character	6		Field descriptions are the same as under FRESULTS
2	QCID	Character	6		
3	STANO	Character	6		
4	DEPTH	Character	4		
5	PCODE	Character	7		
6	REMARK	Character	2		
7	DATE_C	Date	8		
8	TIME	Character	4		
9	DATE_ANL	Date	8		
10	RESULT	Numeric	10	3	
11	RFLG	Character	1		
12	TYPE	Character	1		
** Total **			64		

Data Table: MO\_RPT.DBF  
Index File: None

Structure for database: P:\AMBIENT\DBMSDATA\MO\_RPT.DBF  
Number of data records: 1  
Date of last update: 95/04/14

Field	Field Name	Type	Width	Dec	Description
1	TITLE	Character	20		Title for monthly report
** Total **			21		

Data Table: MONTHS.DBF  
Index File: None

Structure for database: P:\AMBIENT\DBMSDATA\MONTHS.DBF

Number of data records: 12

Date of last update: 93/03/22

Field	Field Name	Type	Width	Dec	Description
1	MONTH	Character	9		Month (e.g., "January")
2	MM	Character	2		Month number (e.g., "01")
3	MDAYS	Character	2		Number of days in month
** Total **			14		

Data Table: MRESULTS.DBF  
Index File: None

Structure for database: P:\AMBIENT\DBMSDATA\MRESULTS.DBF  
Number of data records: 2721  
Date of last update: 95/03/23

Field	Field Name	Type	Width	Dec	Description
1	LABNO	Character	6		Field descriptions are the same as under FRESULTS
2	STANO	Character	6		
3	DATE_C	Date	8		
4	TIME	Character	4		
5	PCODE	Character	6		
6	DEPTH	Character	4		
7	RESULT	Numeric	10	3	
8	REMARK	Character	1		
9	DATE_ANL	Date	8		
10	RFLG	Character	1		
11	TYPE	Character	1		
** Total **			56		

Data Table: PCSTOREF.DBF  
Index File: None

Structure for database: P:\AMBIENT\DBMSDATA\PCSTOREF.DBF  
Number of data records: 1  
Date of last update: 95/02/13

Field	Field Name	Type	Width	Dec	Description
1	PC	Character	79		Pcstoret "SC" format header card
** Total **			80		

Data Table: PCSTOREM.DBF  
Index File: None

Structure for database: P:\AMBIENT\DBMSDATA\PCSTOREM.DBF  
Number of data records: 1  
Date of last update: 95/02/14

Field	Field Name	Type	Width	Dec	Description
1	PC	Character	79		Pcstoret "SC" format header card
** Total **			80		



Data Table: PH\_EXC.DBF  
Index File: None

Structure for database: P:\AMBIENT\DBMSDATA\PH\_EXC.DBF

Number of data records: 0

Date of last update: 95/04/17

Field	Field Name	Type	Width	Dec	Description
1	STANO	Character	6		Station number
2	DEPTH	Character	4		Depth sampled (marine only)
3	DATE	Date	8		Date sampled
4	LABNO	Character	6		Lab number (MEL assigned)
5	PCODE	Character	6		Storet parameter code
6	RESULT	Numeric	6	3	result being evaluated
7	NO <sub>2</sub> _N	Numeric	6	3	NO <sub>2</sub> result
8	NO <sub>3</sub> _N	Numeric	6	3	NO <sub>3</sub> result
9	NO <sub>2</sub> _DIS	Numeric	6	3	Dissolved NO <sub>2</sub> result
10	NO <sub>2</sub> _NO <sub>3</sub>	Numeric	6	3	NO <sub>2</sub> +NO <sub>3</sub> result
11	NH <sub>3</sub> _N	Numeric	6	3	Ammonia result
12	TPN	Numeric	6	3	Total nitrogen result
13	OP_TOT	Numeric	6	3	Total SRP result
14	OP_DIS	Numeric	6	3	Dissolved SRP result
15	TP_P	Numeric	6	3	Total phosphorus result
** Total **			91		

Data Table: QA.DBF  
 Index File: QA.MDX  
 Index TAG: QA\_TVR Key: TYPE+VARIABLE+RUN

Structure for database: P:\AMBIENT\DBMSDATA\QA.DBF

Number of data records: 0

Date of last update: 94/03/29

Field	Field Name	Type	Width	Dec	Description
1	TYPE	Character	1		Type of QC sample (C=split, D=sequential; B=blank)
2	VARIABLE	Character	8		dBase® field name for parameter
3	RUN	Character	2		Area sampled (NW,SW,NE,E or 1-4)
4	STANO	Character	6		Station number
5	DATE	Date	8		Date sampled
6	TIME	Character	4		Time sampled
7	RESULT	Numeric	10	3	Result
8	QRESULT	Numeric	10	3	Result of QC sample
9	DIFF	Numeric	9	3	Difference between results
10	CV	Numeric	6	2	Coefficient of variation of results
** Total **			65		

Data Table: QC.DBF  
 Index File: QC.MDX  
 Index TAG: QC\_STDT Key: STANO+DTCOC(DATE)  
 Index TAG: QC\_STDTDHKey: STANO+DTCOC(DATE)+DEPTH

Structure for database: P:\AMBIENT\DBMSDATA\QC.DBF  
 Number of data records: 0  
 Date of last update: 95/04/17

Field	Field Name	Type	Width	Dec	Description
1	STANO	Character	6		Station number
2	DATE	Date	8		Date sampled
3	TIME	Character	4		Time sampled
4	DEPTH	Character	4		Depth sampled (marine only)
5	PCODE	Character	7		Storet parameter code
6	VARIABLE	Character	8		dBase® field name for parameter
7	RESULT	Numeric	10	3	Result
8	LABNO	Character	6		Lab number (MEL assigned)
9	QHOLD	Numeric	3		Holding time (if exceeds allowable)
10	QCODE	Numeric	1		Quality code (to be edited)
11	PQCODE	Numeric	1		Quality code
** Total **			59		

Data Table: QCSTA.DBF  
Index File: None

Structure for database: P:\AMBIENT\DBMSDATA\QCSTA.DBF

Number of data records: 96

Date of last update: 94/10/03

Field	Field Name	Type	Width	Dec	Description
1	RUN	Character	2		Area sampled (NW,SW,NE,E or 1-4)
2	MONTH	Numeric	2		Month (e.g., "01")
3	MONTHORDER	Numeric	2		Temporary programming variable
4	DAY	Character	1		Day (of run)
5	QSTANO	Character	6		Station number for QC sample
6	QSTANAME	Character	30		Station name
7	QTYPE	Character	1		F=sequential, S=split, B=blank
8	SEED	Numeric	8	4	Pseudo-random number as seed for random number generator
** Total **			53		

Data Table: RG\_RPT.DBF  
Index File: None

Structure for database: P:\AMBIENT\DBMSDATA\RG\_RPT.DBF

Number of data records: 4

Date of last update: 89/10/28

Field	Field Name	Type	Width	Dec	Description
1	REGION	Character	1		Ecology region (e.g., "NW")
2	RG_TITLE	Character	16		Name (e.g., "Northwest Region")
** Total **			18		

Data Table: SD\_EXC.DBF  
 Index File: SD\_EXC.MDX  
 Index TAG: STANO Key: STANO

Structure for database: P:\AMBIENT\DBMSDATA\SD\_EXC.DBF  
 Number of data records: 0  
 Date of last update: 95/04/17

Field	Field Name	Type	Width	Dec	Description
1	STANO	Character	6		Station number
2	DATE	Date	8		Date sampled
3	TIME	Character	4		Time sampled
4	DEPTH	Character	4		Depth sampled (marine only)
5	REGION	Character	1		Ecology region
6	PCODE	Character	6		Storet parameter code
7	LABNO	Character	6		Lab number (MEL assigned)
8	MEAN	Numeric	9	3	mean of results
9	SDEV	Numeric	9	3	std. dev. of results
10	SOURCE	Character	3		Source of statistics (STA=station, REG=ecoregion)
11	RESULT	Numeric	9	3	Result
12	REMARK	Character	1		Remark code (e.g., "J")
13	EXCEED	Numeric	9	3	Percent criteria are exceeded
14	VARIABLE	Character	8		dBase® field name for parameter
** Total **			84		

Data Table: SEC\_FILE.DBF  
Index File: SEC\_FILE.MDX  
Index TAG: PASSWD Key: PASSWD

Structure for database: P:\AMBIENT\DBMSDATA\SEC\_FILE.DBF  
Number of data records: 6  
Date of last update: 95/04/10

Field	Field Name	Type	Width	Dec	Description
1	PASSWD	Character	5		Password
2	NAME	Character	25		Access level description
3	ACCESS	Numeric	1		Access level allowed by password
** Total **			32		

Data Table: SF\_DE.DBF  
Index File: None

Structure for database: P:\AMBIENT\DBMSDATA\SF\_DE.DBF  
Number of data records: 0  
Date of last update: 95/04/10

Field	Field Name	Type	Width	Dec	Description
1	STANO	Character	6		
** Total **			7		



Data Table: SP\_FC.DBF  
Index File: None

Structure for database: P:\AMBIENT\DBMSDATA\SP\_FC.DBF  
Number of data records: 0  
Date of last update: 95/04/14

Field	Field Name	Type	Width	Dec	Description
Fields and descriptions are the same as for DPF_C.					
** Total **			275		

Data Table: SP\_FH.DBF  
Index File: None

Structure for database: P:\AMBIENT\DBMSDATA\SP\_FH.DBF  
Number of data records: 0  
Date of last update: 95/04/14

Field	Field Name	Type	Width	Dec	Description
-------	------------	------	-------	-----	-------------

Fields and descriptions are the same as for DPF\_H.

---

** Total **			261		
-------------	--	--	-----	--	--

---

Data Table: SP\_MC.DBF  
Index File: None

Structure for database: P:\AMBIENT\DBMSDATA\SP\_MC.DBF  
Number of data records: 0  
Date of last update: 95/04/14

Field	Field Name	Type	Width	Dec	Description
Fields and descriptions are the same as for DPM_C					
** Total **			277		

Data Table: SP\_MH.DBF  
Index File: None

Structure for database: P:\AMBIENT\DBMSDATA\SP\_MH.DBF  
Number of data records: 0  
Date of last update: 95/04/14

Field	Field Name	Type	Width	Dec	Description
Fields and descriptions are the same as for DPM_H					
** Total **			277		

Data Table: USERLOG.DBF  
Index File: None

Structure for database: P:\AMBIENT\DBMSDATA\USERLOG.DBF  
Number of data records: 2  
Date of last update: 95/04/17

Field	Field Name	Type	Width	Dec	Description
1	LOGIN_NAME	Character	10		Network user id
2	DATE	Date	8		Date DBMS was accessed
3	TIME	Character	8		Time DBMS was accessed
4	ACCESS_LVL	Numeric	1		Security access level used
5	MENUBAR	Character	15		Menu item selected
** Total **			43		

Data Table: WATER.DBF  
 Index File: WATER.MDX  
 Index TAG: WA\_STDTDH Key: STANO+DTCO(DATE)+DEPTH

Structure for database: P:\AMBIENT\DBMSDATA\WATER.DBF  
 Number of data records: 0  
 Date of last update: 95/03/20

Field	Field Name	Type	Width	Dec	Description
1	REGION	Character	1		Ecology region
2	STANO	Character	6		Station number
3	DEPTH	Character	4		Depth sampled (marine only)
4	CLASS	Character	2		Water class (e.g., "A")
5	DATE	Date	8		Date sampled
6	TIME	Character	4		Time sampled
7	LABNO	Character	6		Lab number (MEL assigned)
8	PCODE	Character	8		Storet parameter code
9	RESULT	Numeric	8	3	Result
10	REMARK	Character	2		Remark code (e.g., "J")
11	FORMU	Character	20		Narrative fecal coliform criteria
12	G_CRIT	Numeric	3		Fecal coliform geometric mean crit.
13	S_CRIT	Numeric	8	3	Fecal coliform "10%" criteria
14	W_PTS	Numeric	2		Number of bacteria results
15	G_RSLT	Numeric	5		Geometric mean of bacteria results
16	EXC	Numeric	8	3	Percent exceeds criteria
** Total **			96		